





Catalogue filters J series



-  *Filtration apparatuses range description*
-  *Filtration element*
-  *Curves*
-  *Dimensional diagram*

Applications: Filtration in galvanizing plants (nickel plating, zinc plating, chrome plating etc.) volumes (500 to 3000 litres)

Made from injected plastic (Polypropylene or PVDF for J15)

Excellent resistance to acids and bases
Max. fluid temperature - 80°C (PP), 110°C (PVDF)

Filtration with L-TECH cartridge (models J30 / J50)

Cartridges with filtration area of (5 m²), low operating expenses, filtration porosity to 2 micron

Easy filtration elements replacement (models J30 / J50)

Paper filtration, 32 - 64 plates diameter 195 mm, Filtration through 7 coiled or extruded elements size 10"/20"
Fine filtration between 50 to 1 micron

Vertical pumps

Output from 1,5 to 14 m³/h

Possibility of fitment inside the bath

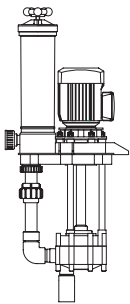
Without inlet (connection) hose, no leak risk

Choice of active charcoal column replacement with filter element L-TECH

Filtration through active charcoal pellets



Filtration apparatuses range description



Filtration apparatuses J15

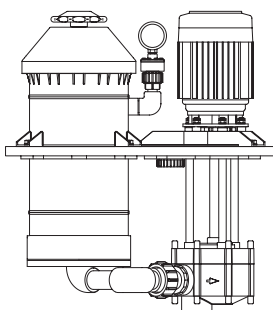
Technical features

- Pump type *T050*
- Max. output *from 2,3 m³/h*
- Filtration element *1 extruded element 10" or 20"*
1 coiled element 10" or 20"
- Material *PP or PVDF*

DIMENSIONS



CURVES



Filtration apparatuses J30

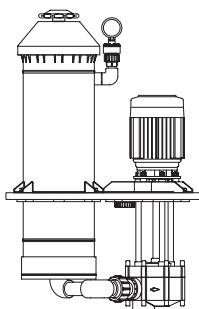
Technical features

- Pump type *T050-T070-T100-T140*
- Max. output *from 3,5 m³/h to 9,2 m³/h*
- Filtration element *7 extruded elements 10"*
7 coiled elements 10"
1 cartridge LTECH 10"
1 active charcoal charge between 5,8 l
32 filter plates Ø195 mm

DIMENSIONS



CURVES



Filtration apparatuses J50

Technical features

- Pump type *T070-T100-T140-T200*
- Max. output *from 5 m³/h to 10,2 m³/h*
- Filtration element *7 extruded elements 20"*
7 coiled elements 20"
1 cartridge LTECH 20"
1 active charcoal charge between 11,6 l
64 filter plates Ø195 mm

DIMENSIONS



CURVES



Filtration elements



Cartridge with large filtration area (5 m²), low operational cost, filter porosity from 50 microns to 2 microns

Active charcoal reservoir replaceable with L-TECH cartridge



Filtration through 7 coiled or extruded cartridges, size 10"/20"/30" a porosity from 50 to 1 micron

Filtration through filtration paper between 20 to 96 plates o 195 mm, 0.45 to 2.16 m²

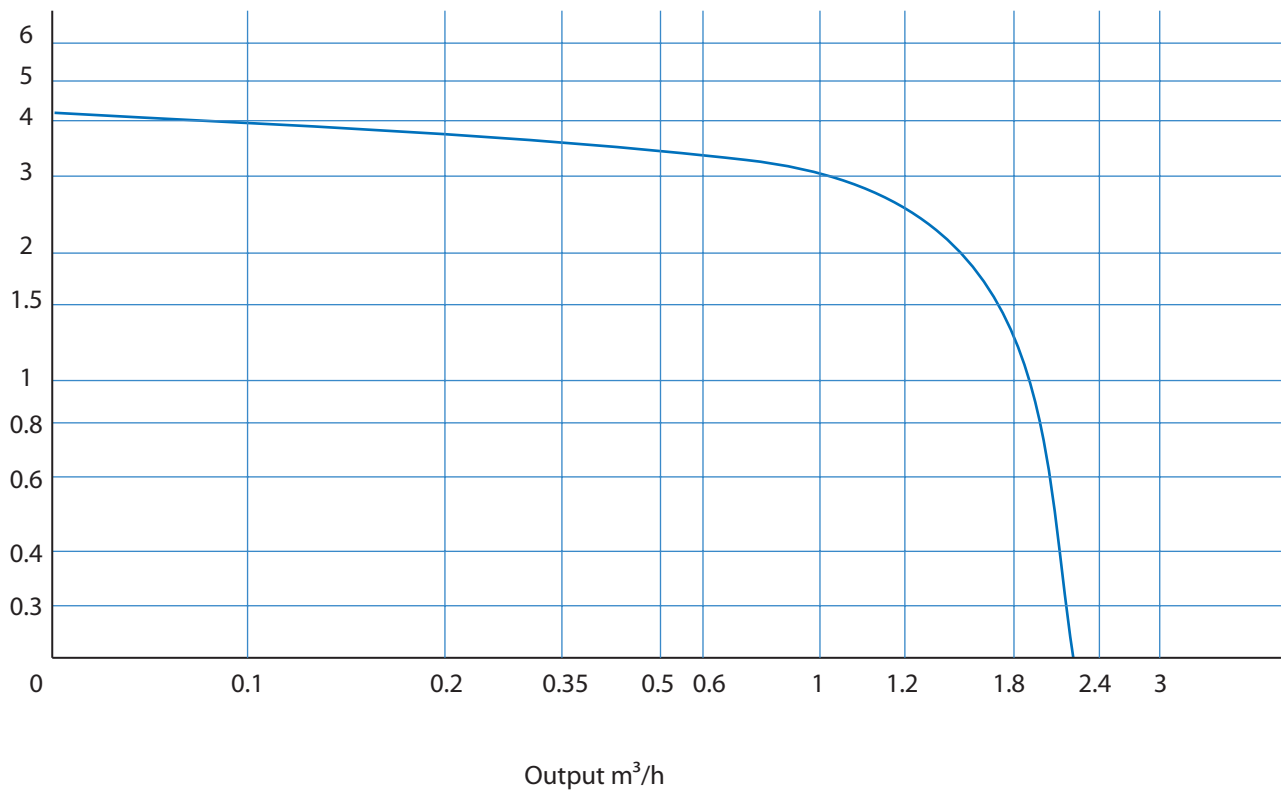




Curves

Filtration apparatuses J15

- Pump delivery head in metres
- Delivery m^3/h

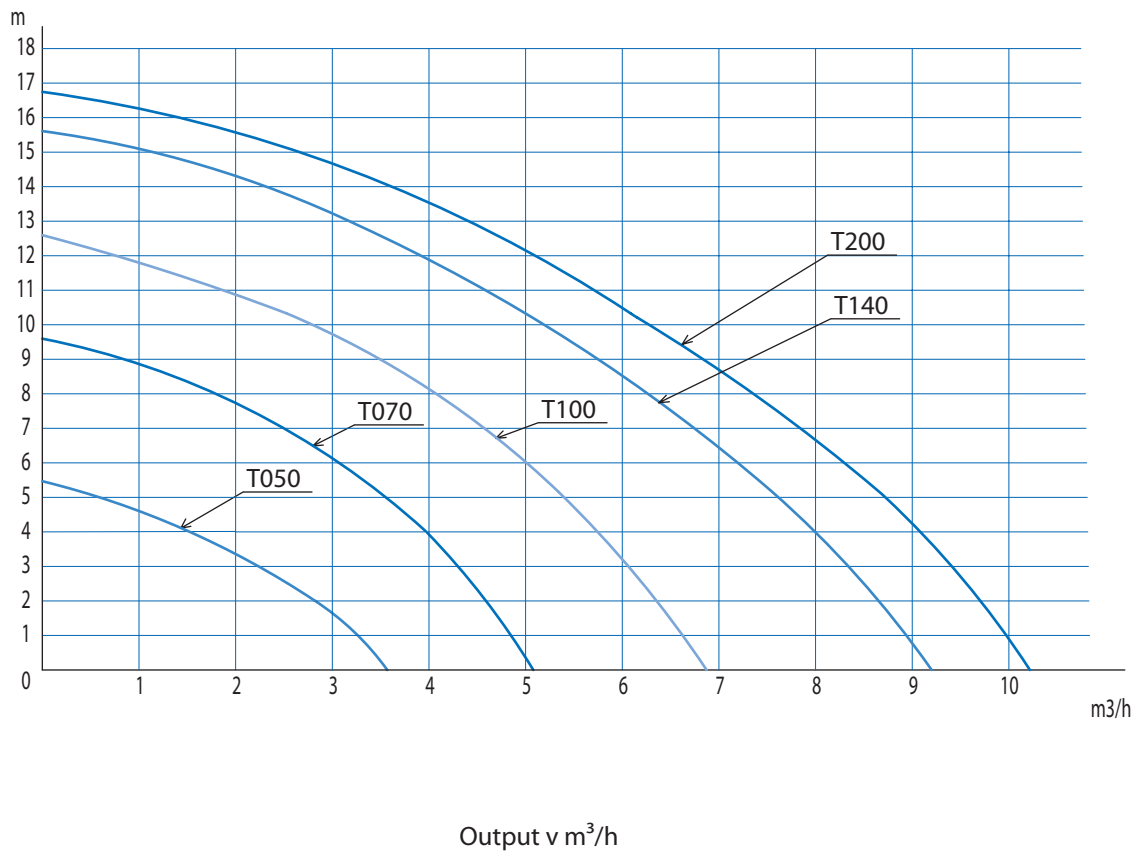




Curves

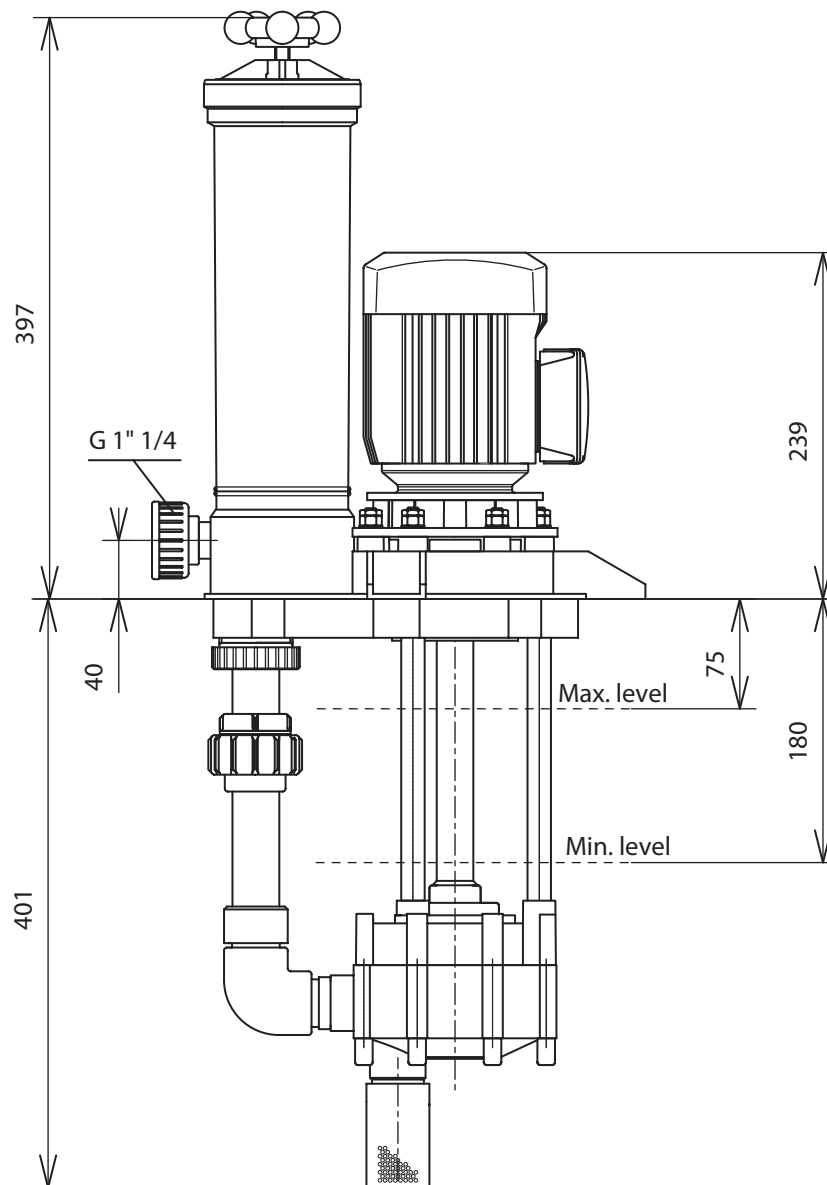
Filtration apparatuses J30 - J50

- Pump delivery head in metres
- Delivery m³/h



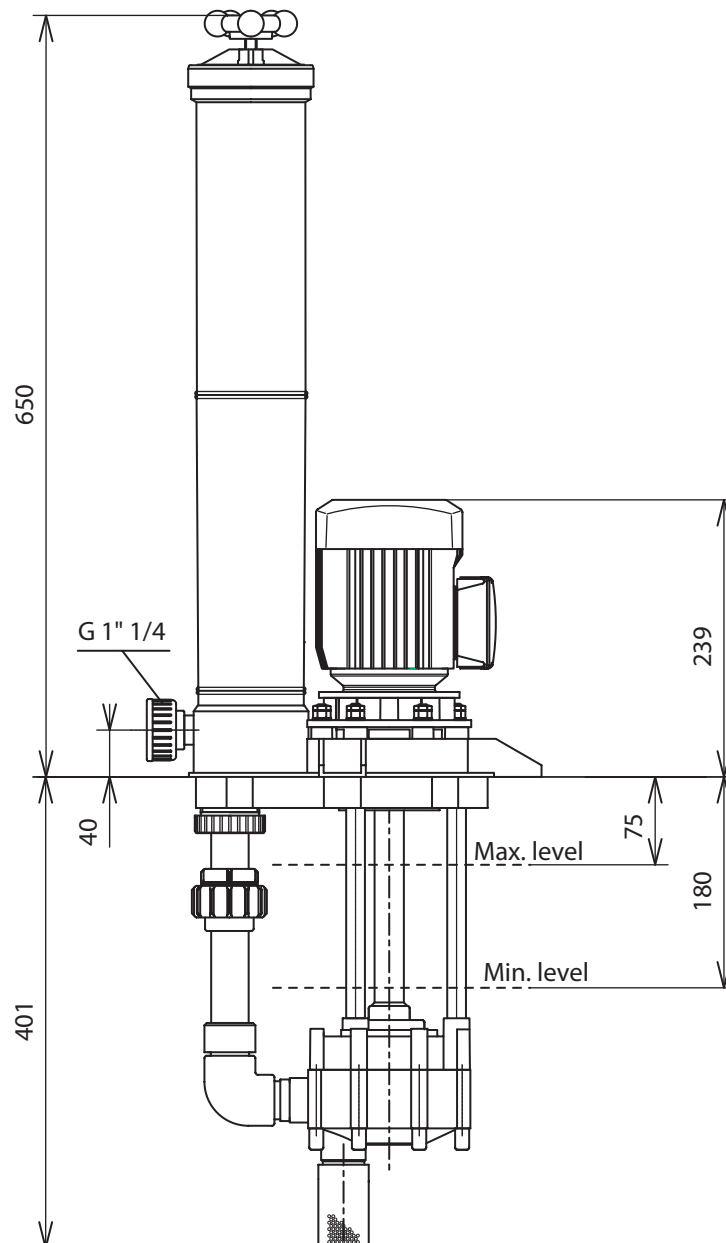


Dimensional diagram J15-10"



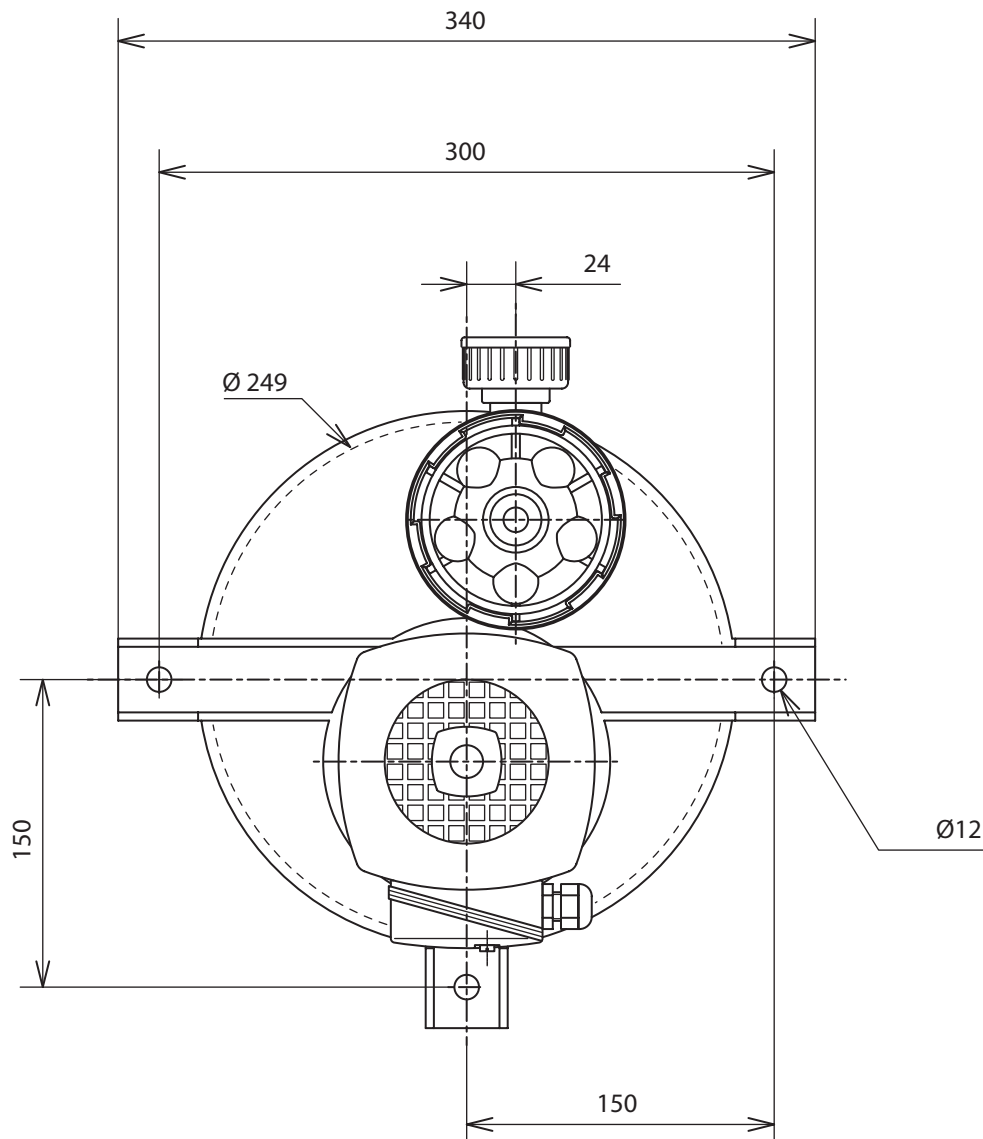


Dimensional diagram J15-20"



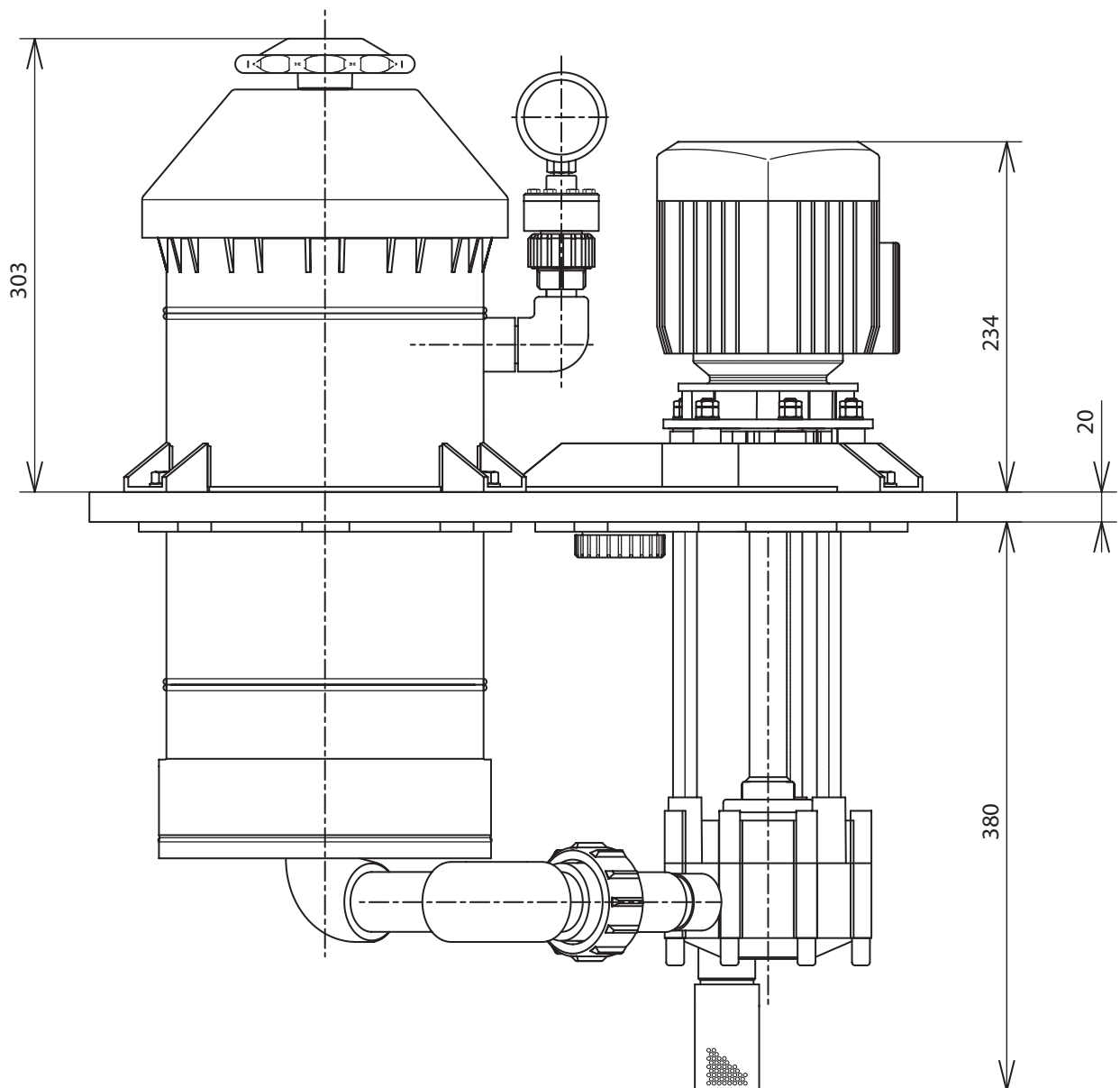


Dimensional diagram J15



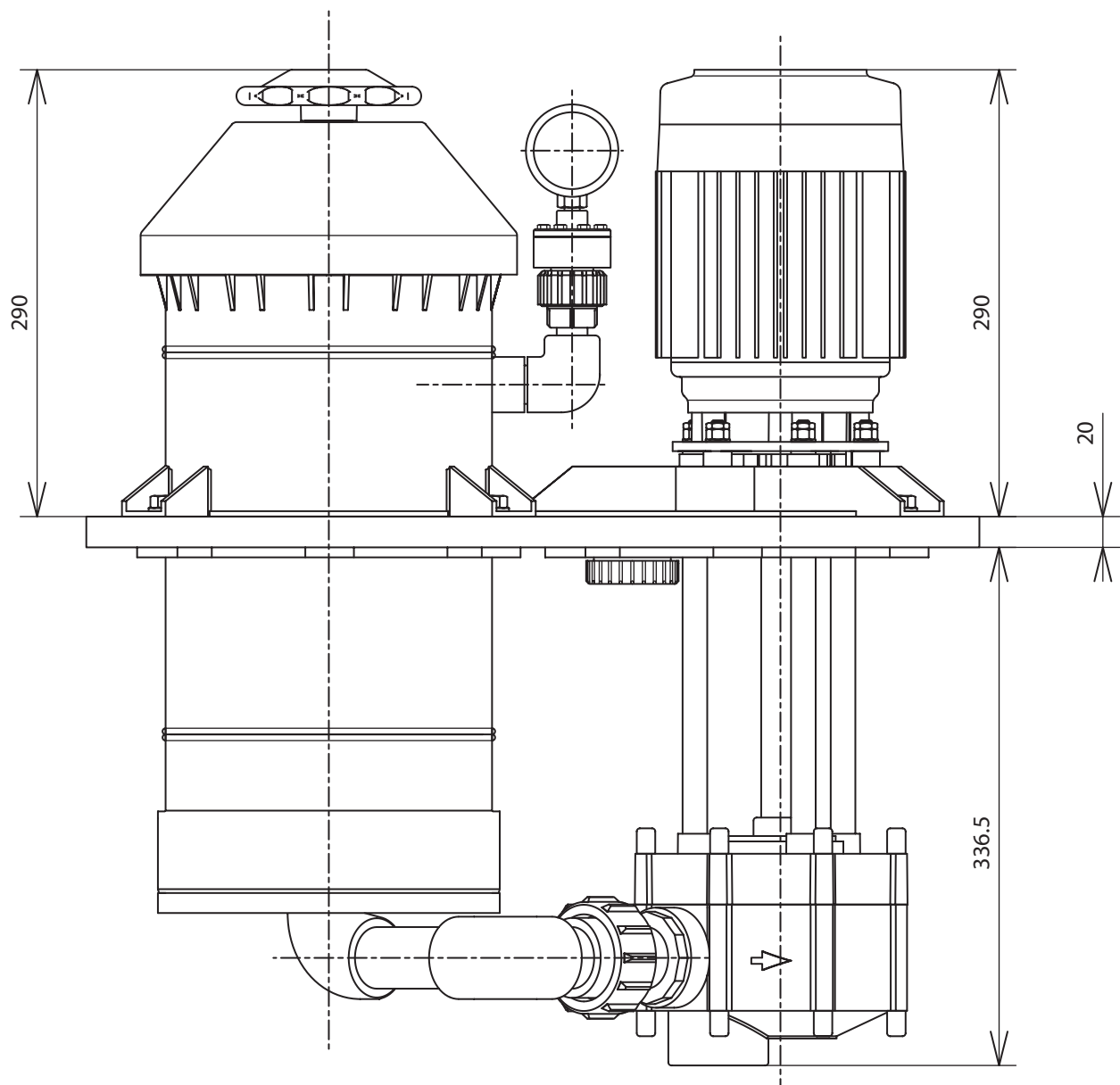


Dimensional diagram J30 with pump T050 - T070



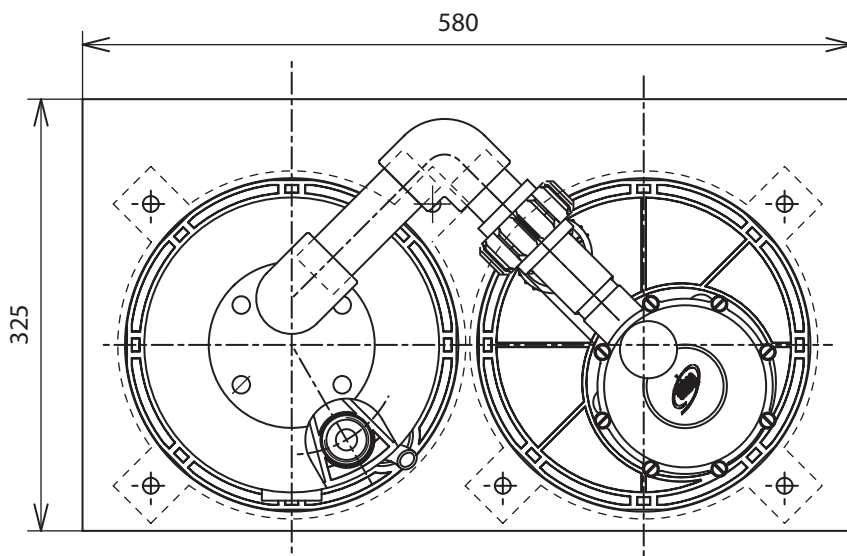


Dimensional diagram J30 with pump T100 - T140

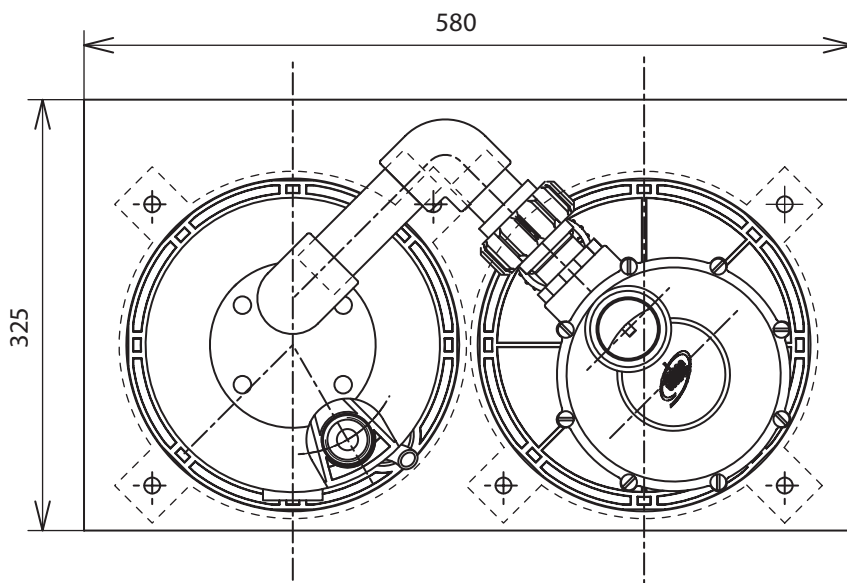




Dimensional diagram J30



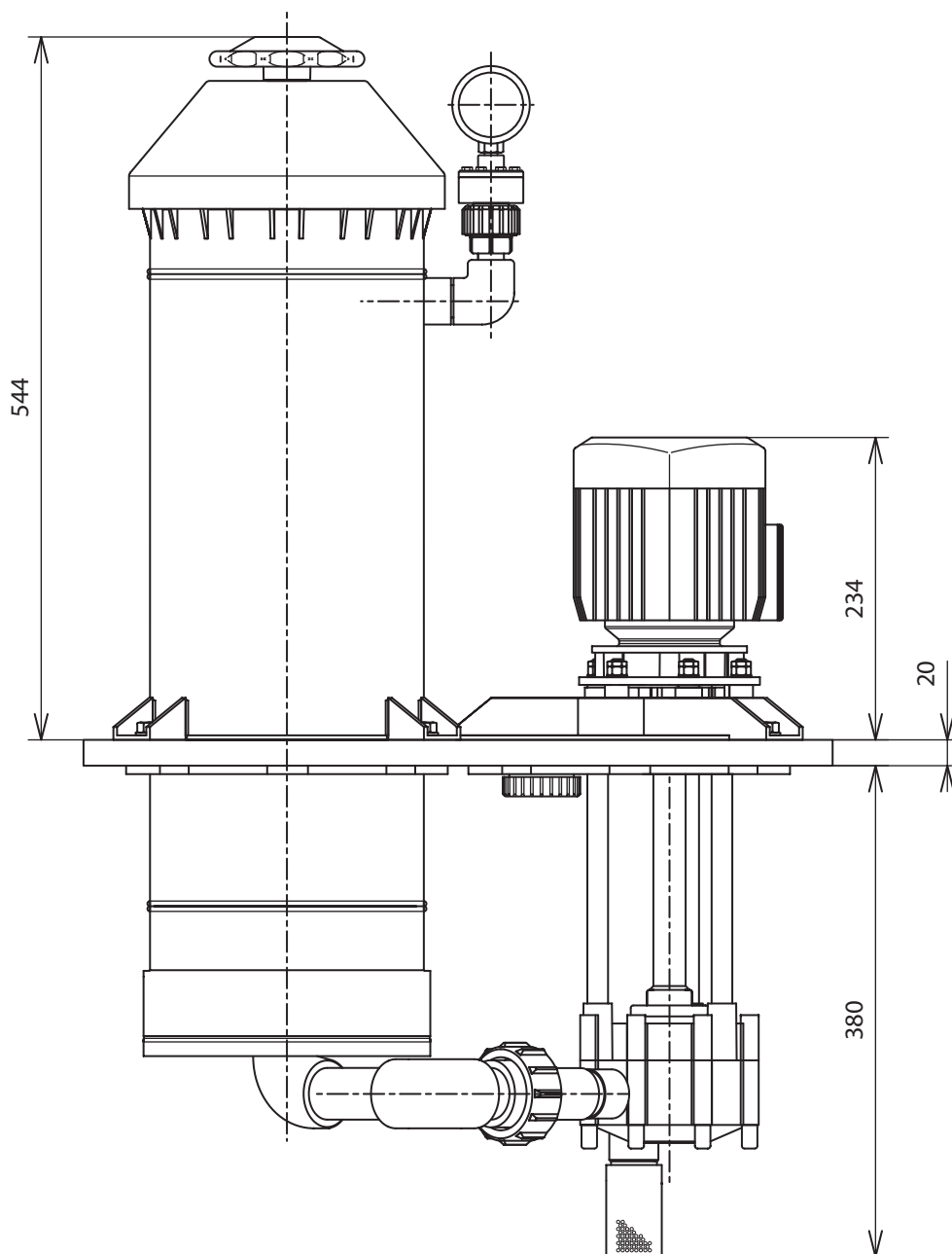
With pump T050-T070



With pump T100-T140

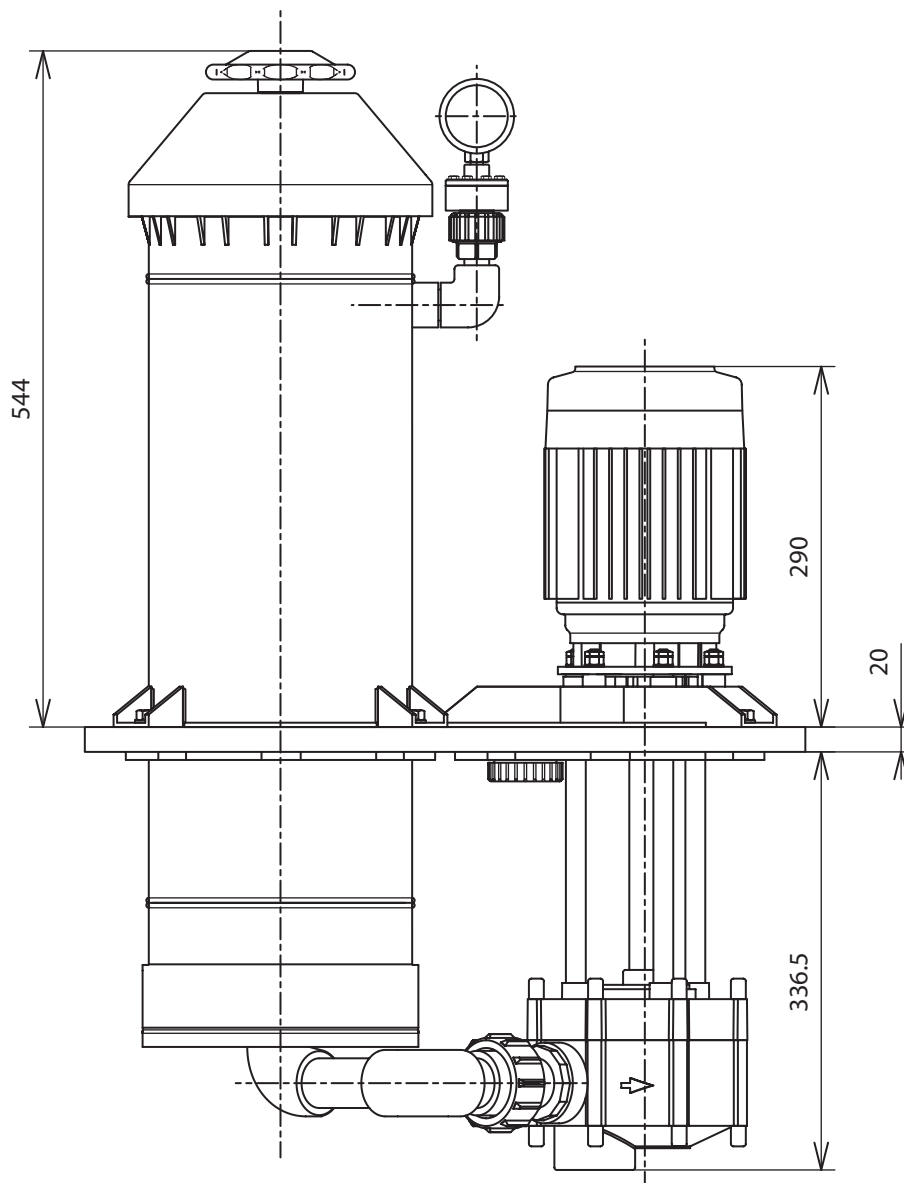


Dimensional diagram J50 with pump T070



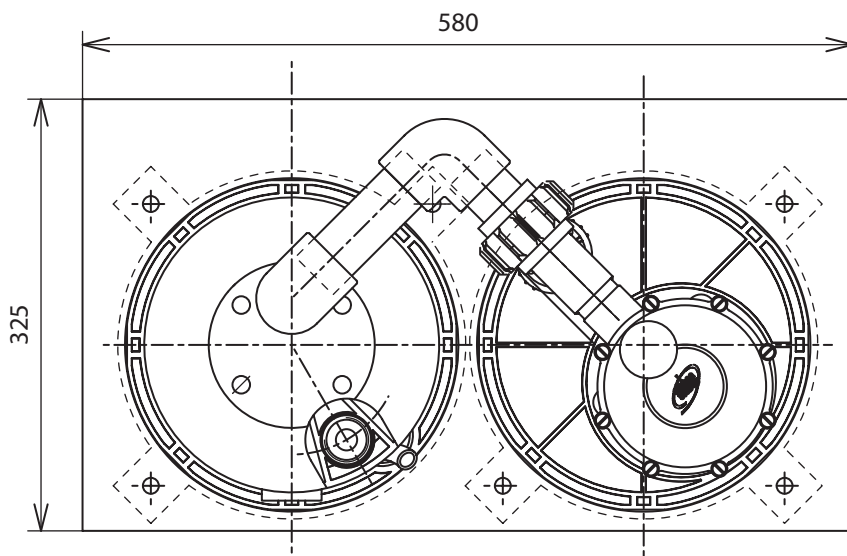


Dimensional diagram J50 with pump T100-T140-T200

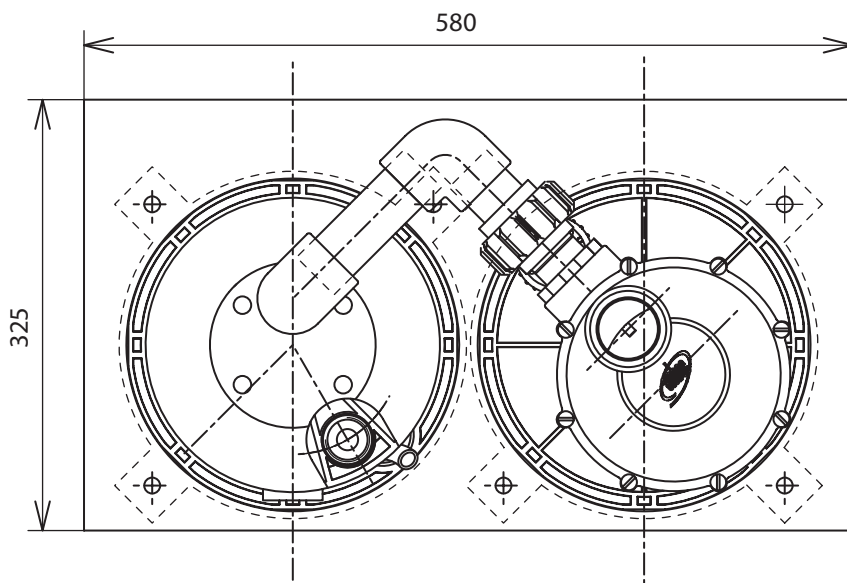




Dimensional diagram J50



With pump T070



With pump T100-T140-T200