








## Catalogue filters P series



-  *Filtration apparatuses range description*
-  *Filtration element*
-  *Pressure versus temperature graph*
-  *Curves*
-  *Dimensional diagram*

**Applications :** Filtration in galvanizing plants (nickel plating, zinc plating, chrome plating etc.) volumes (3 000 to 30 000 litres)  
 . Filtration of chemical solutions  
 . Pharmaceutical industry  
 . Water affairs

### Made from injected plastic (Polypropylene)

Excellent resistance to acids and bases  
 Max. fluid temperature = 70°C

### Filtration with L-TECH cartridge

4 cartridges with filtration area of (4x5 m<sup>2</sup>), low operating expenses, filtration porosity from 50 to 1 micron

### Easy filtration elements replacement

Paper filtration, 54 plates diameter 456 mm  
 Filtration through 36 coiled or extruded elements size 10" / 20"  
 Fine filtration between 50 to 1 micron

### Pumps with magnetic coupling or mechanical gland

Output from 12 to 36 m<sup>3</sup>/h

### Choice of modification

Apparatus types with double filtration column and increased capacity

### Apparatus types with overlay reservoir

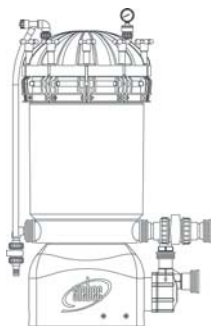
use for overlay or dilution of auxiliary filtration agents and active charcoal overlay

### Choice of active charcoal column replacement with filter element L-TECH

Filtration through active charcoal pellets



# Filtration apparatuses range description



Filtration apparatuses P50

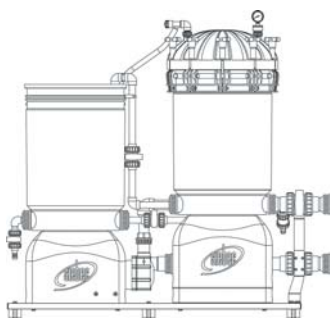
## Technical features

- Pump type	A19-M140-M200
- Max. output	from 15 m <sup>3</sup> /h to 17 m <sup>3</sup> /h
- Filtration element	54 small filter plates 7.8 m <sup>2</sup> 27 thick filter plates 3.9 m <sup>2</sup> 36 filtration elements 20" 4 cartridge LTECH 20" 20 m <sup>2</sup> 1-4 active charcoal charge between 11.6 l

### DIMENSIONS



### CURVES



Filtration apparatuses P50E

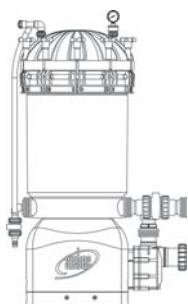
## Technical features

- Pump type	A19-M140-M200
- Max. output	from 15 m <sup>3</sup> /h to 17 m <sup>3</sup> /h
- Filtration element	54 small filter plates 7.8 m <sup>2</sup> 27 thick filter plates 3.9 m <sup>2</sup> 36 filtration elements 20" 4 cartridge LTECH 20" 20 m <sup>2</sup>

### DIMENSIONS



### CURVES



Filtration apparatuses P51

## Technical features

- Pump type	A27-A30 -M300-M400
- Max. output	from 25 m <sup>3</sup> /h to 33 m <sup>3</sup> /h
- Filtration element	54 small filter plates 7.8 m <sup>2</sup> 27 thick filter plates 3.9 m <sup>2</sup> 36 filtration elements 20" 4 cartridge LTECH 20" 20 m <sup>2</sup> 1-4 active charcoal charge between 11.6 l

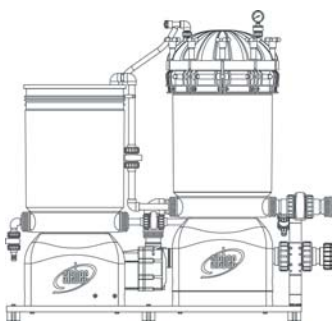
### DIMENSIONS



### CURVES



# Filtration apparatuses range description



Filtration apparatuses P51E

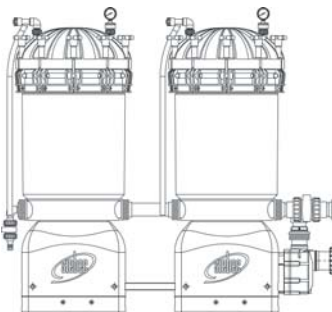
## Technical features

- Pump type A27-A30 -M300-M400
- Max. output from 25 m<sup>3</sup>/h to 33 m<sup>3</sup>/h
- Filtration element
  - 54 small filter plates 7.8 m<sup>2</sup>
  - 27 thick filter plates 3.9 m<sup>2</sup>
  - 36 filtration elements 20"
  - 4 cartridge LTECH 20" 20 m<sup>2</sup>

### DIMENSIONS



### CURVES



Filtration apparatuses P52

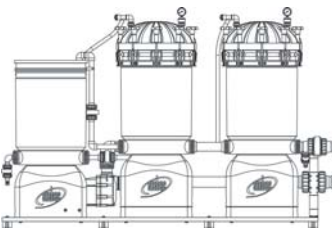
## Technical features

- Pump type A27-A30 -M300-M400
- Max. output from 27 m<sup>3</sup>/h to 36 m<sup>3</sup>/h
- Filtration element
  - 2 x 54 small filter plates 15.6 m<sup>2</sup>
  - 2 x 27 thick filter plates 7.8 m<sup>2</sup>
  - 2 x 36 filtration elements 20"
  - 2 x 4 cartridge LTECH 20" 40 m<sup>2</sup>
  - 2 x 4 active charcoal charge between 11.6 l

### DIMENSIONS



### CURVES



Filtration apparatuses P52E

## Technical features

- Pump type A27-A30 -M300-M400
- Max. output from 27 m<sup>3</sup>/h to 36 m<sup>3</sup>/h
- Filtration element
  - 2 x 54 small filter plates 15.6 m<sup>2</sup>
  - 2 x 27 thick filter plates 7.8 m<sup>2</sup>
  - 2 x 36 filtration elements 20"
  - 2 x 4 cartridge LTECH 20" 40 m<sup>2</sup>

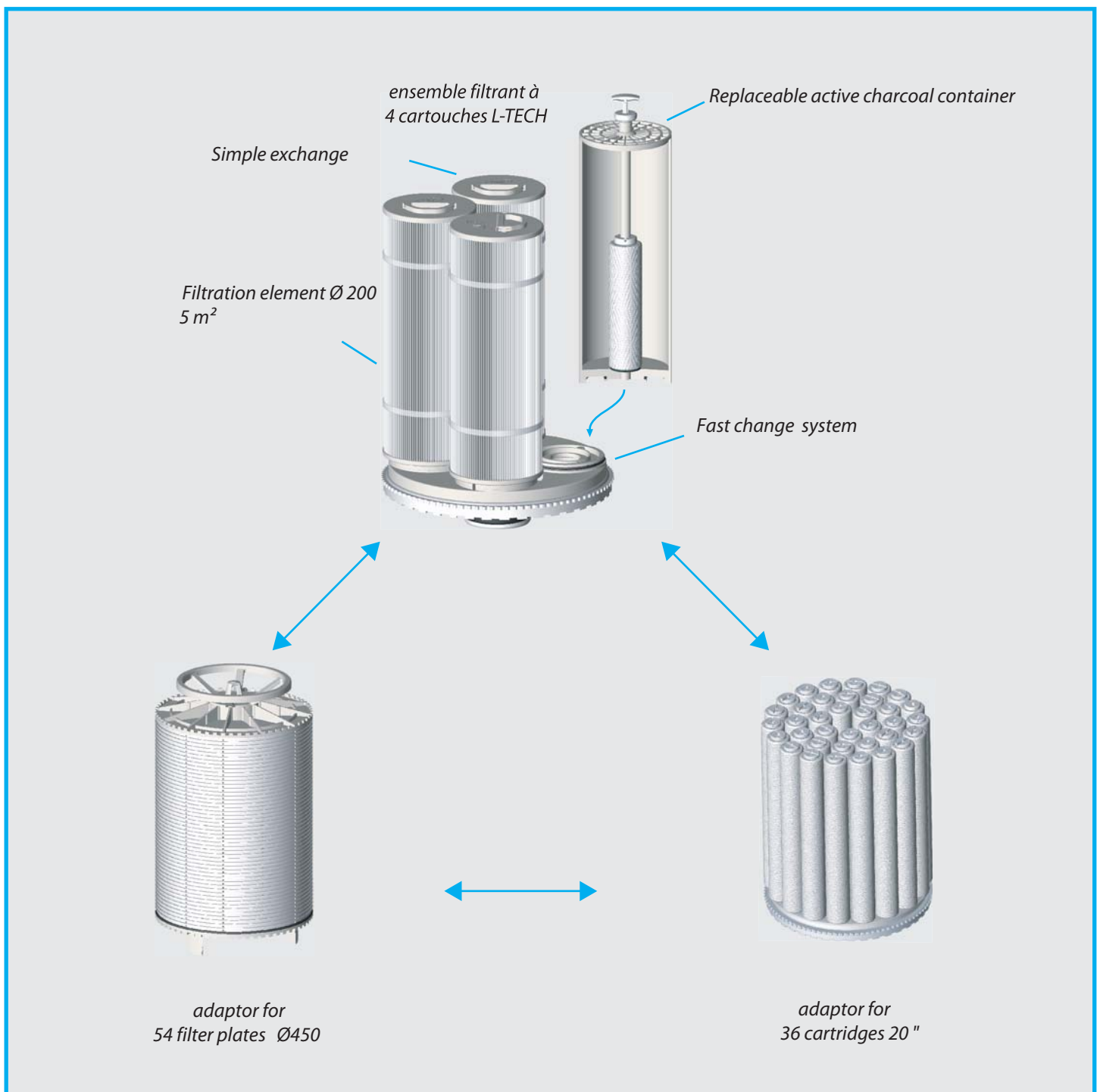
### DIMENSIONS



### CURVES



## Filtration elements

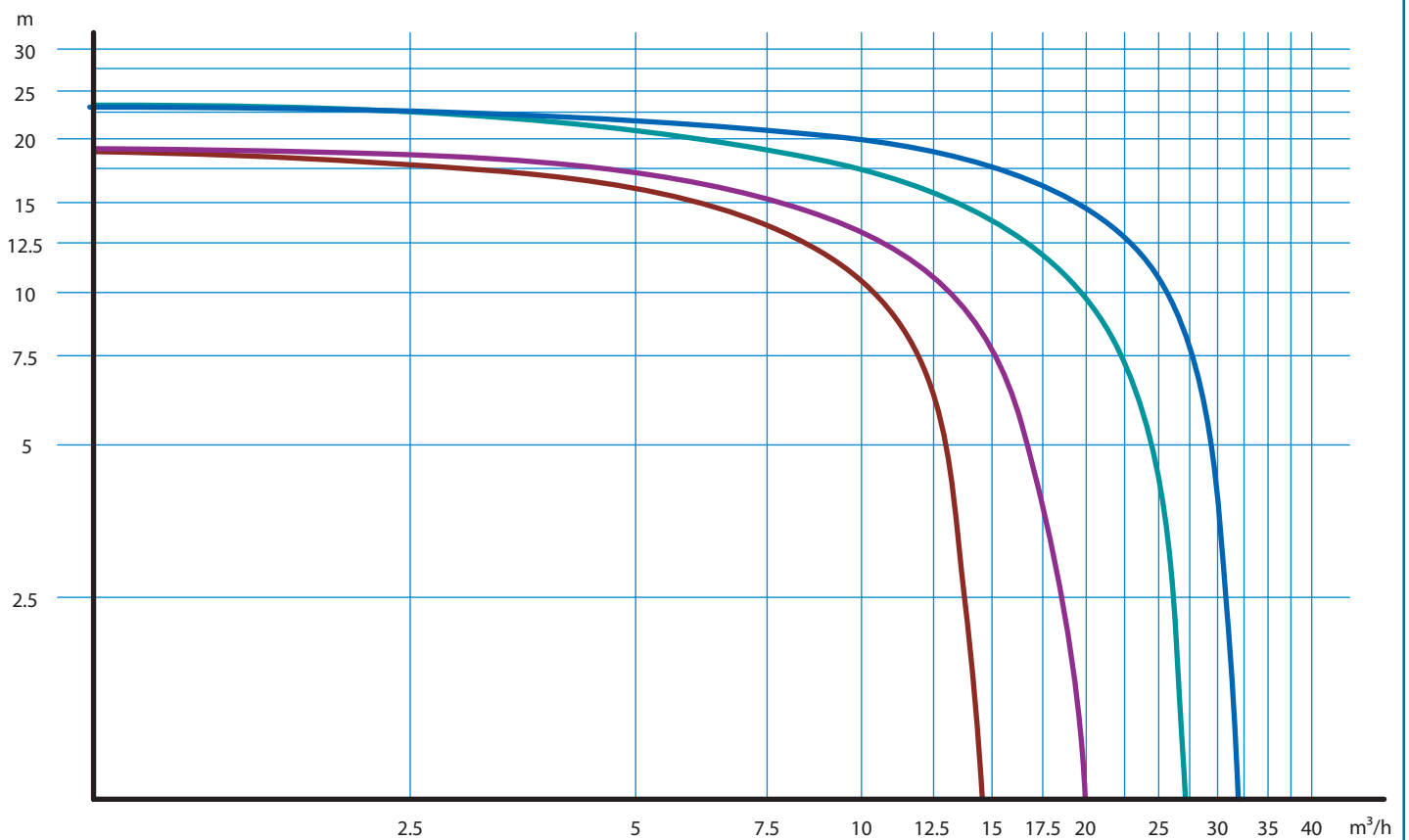




# Curves

## Filtration apparatuses P50 - P51 with filter cartridges

- Pump delivery head in metres
- Delivery  $m^3/h$



- M400

- M300

- M200

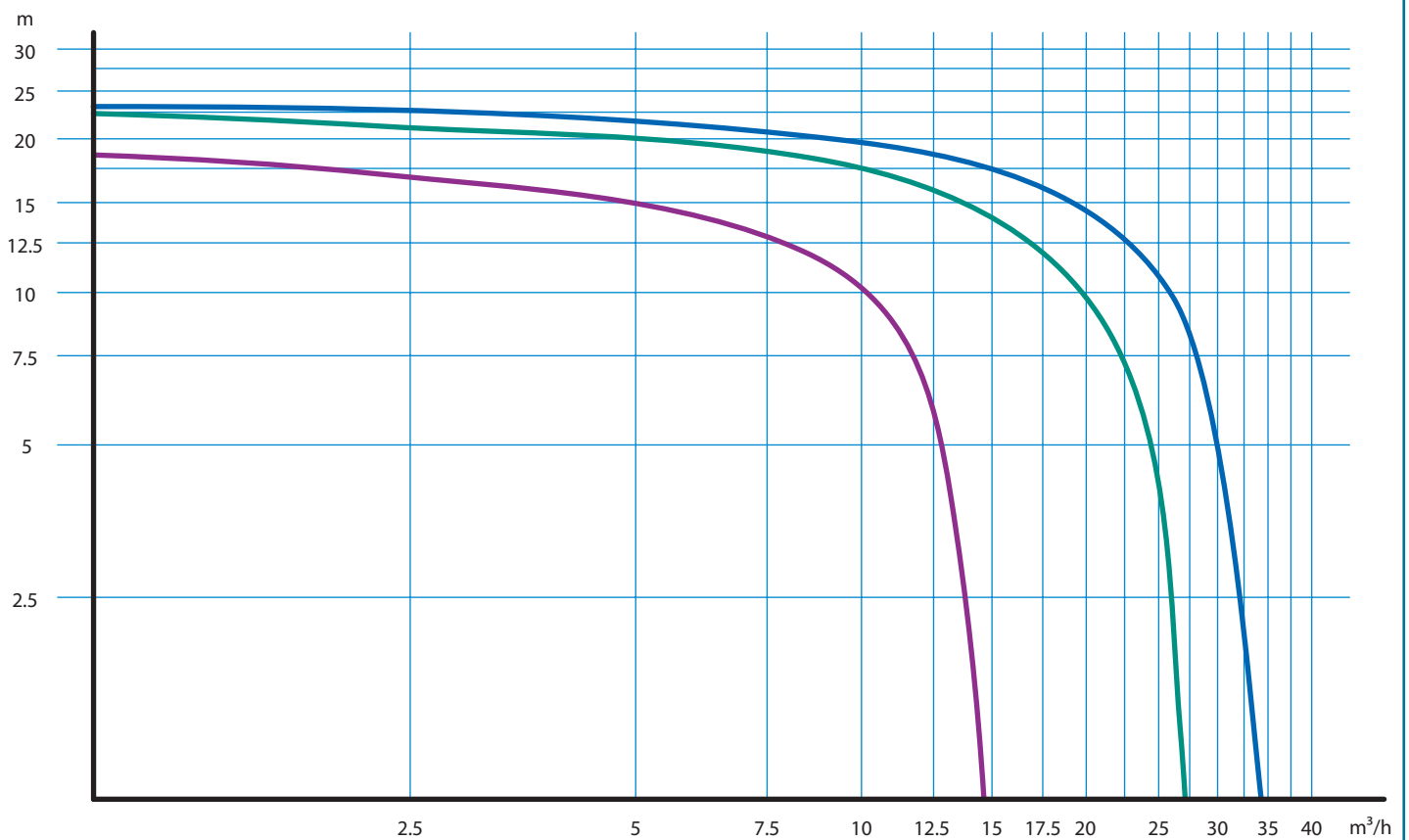
- M140



## Curves

### Filtration apparatuses P50 - P51 with filter cartridges

- Pump delivery head in metres
- Delivery  $m^3/h$



- A30

- A27

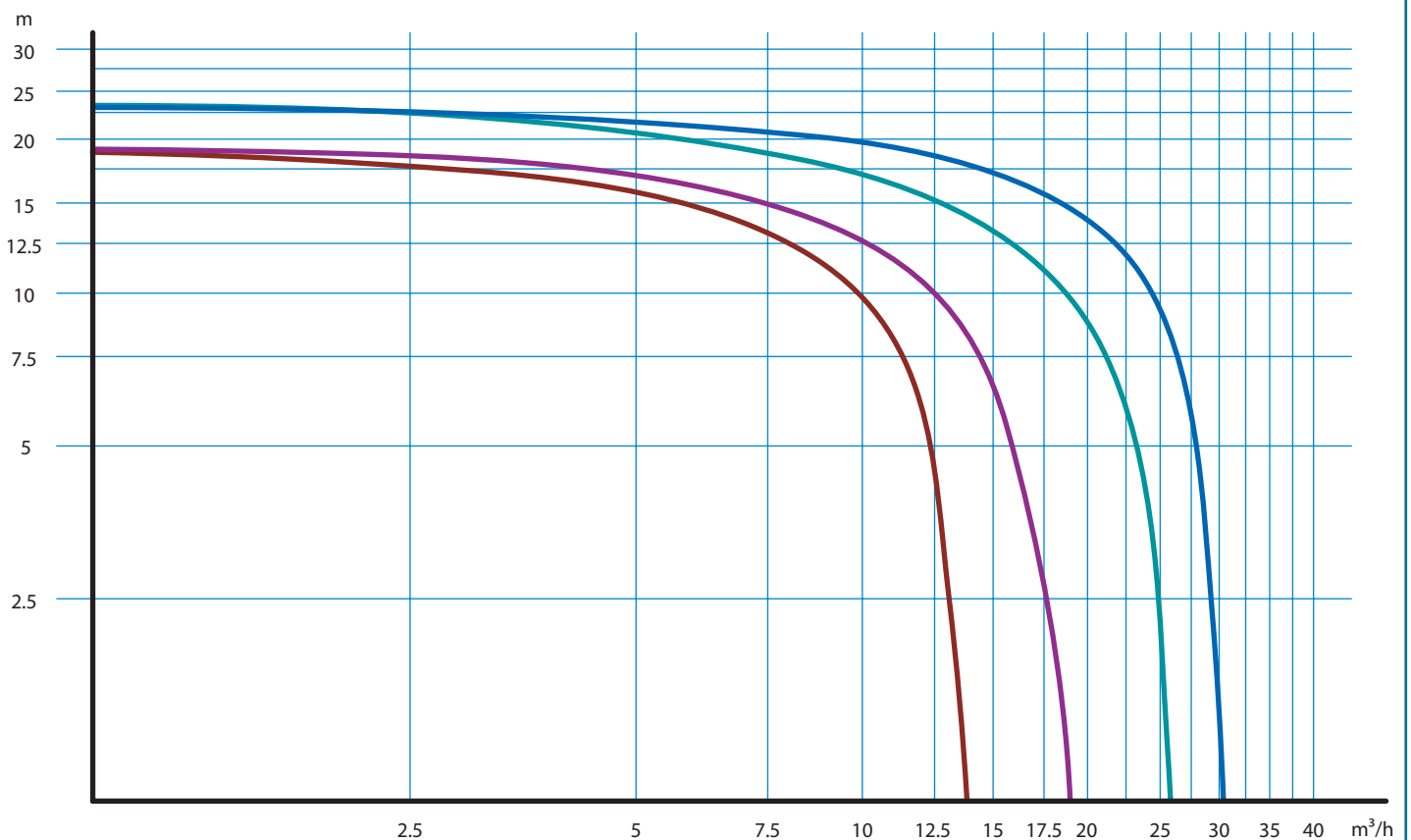
- A19



## Curves

### Filtration apparatuses P50 - P51 with filter plates

- Pump delivery head in metres
- Delivery  $m^3/h$



- M400

- M300

- M200

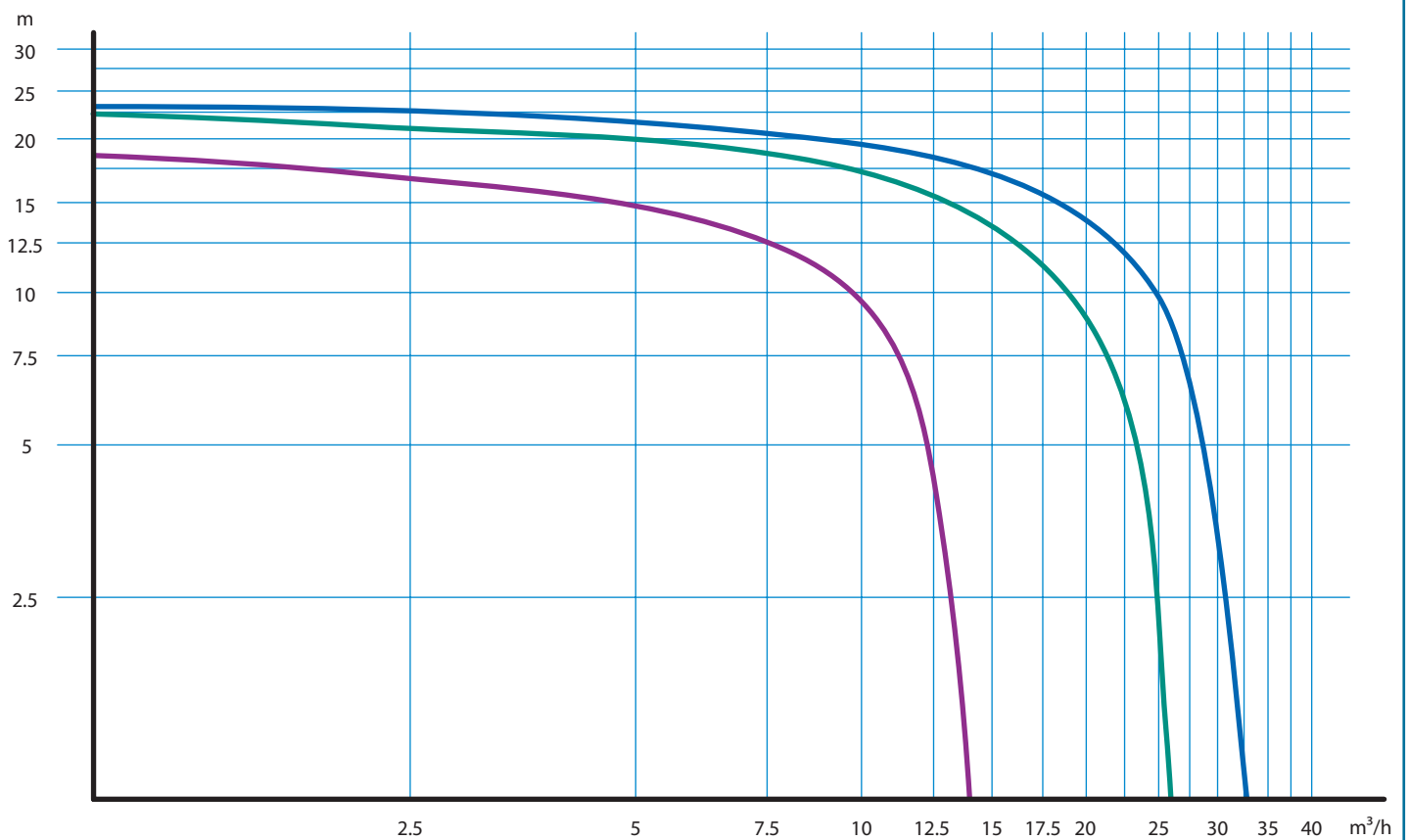
- M140



## Curves

### Filtration apparatuses P50 - P51 with filter plates

- Pump delivery head in metres
- Delivery  $m^3/h$



- A30

- A27

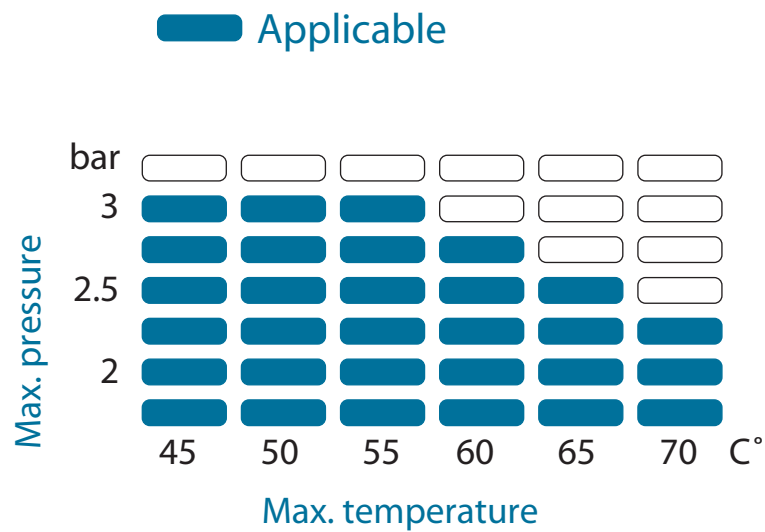
- A19





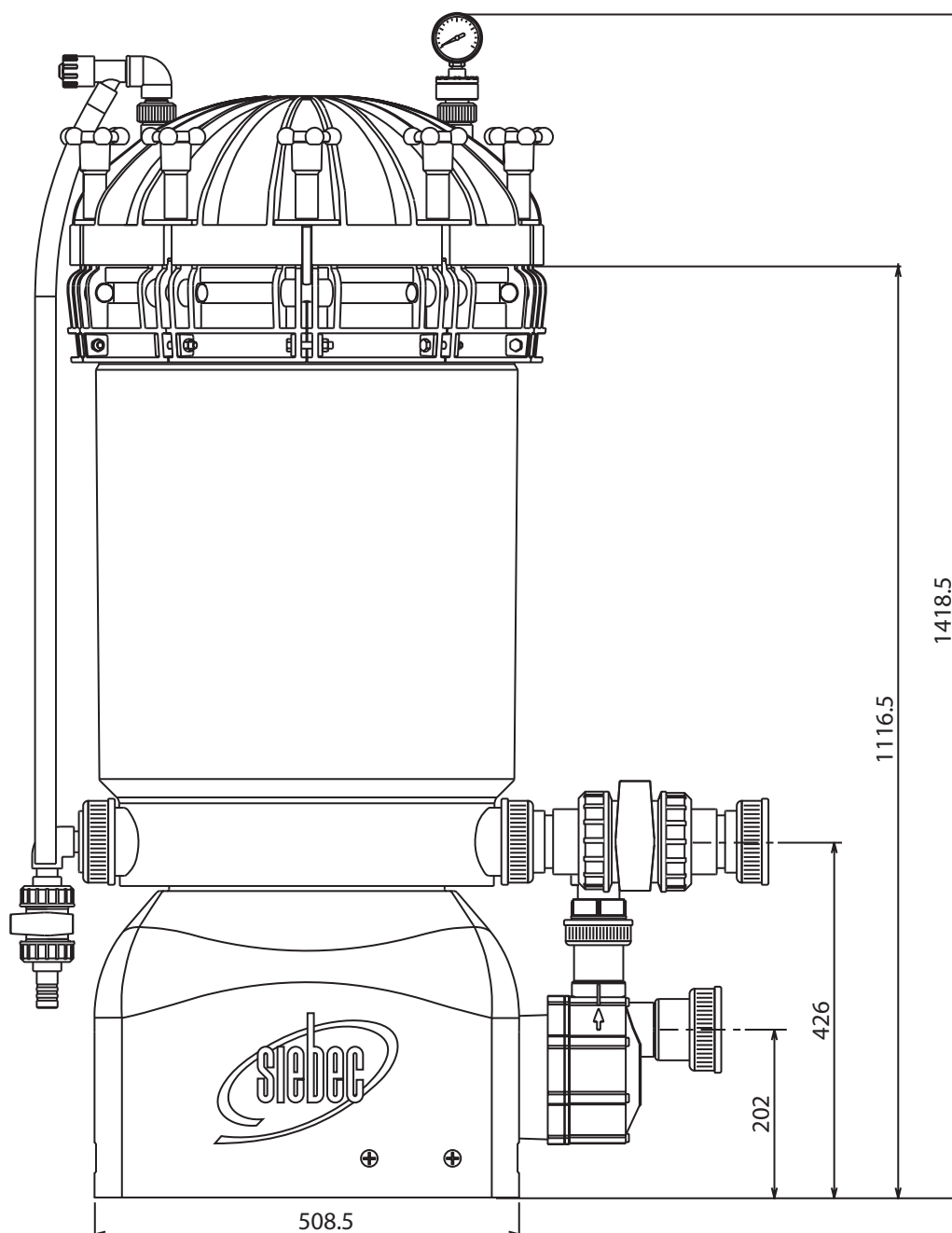
# Diagram

## Pressure versus temperature graph



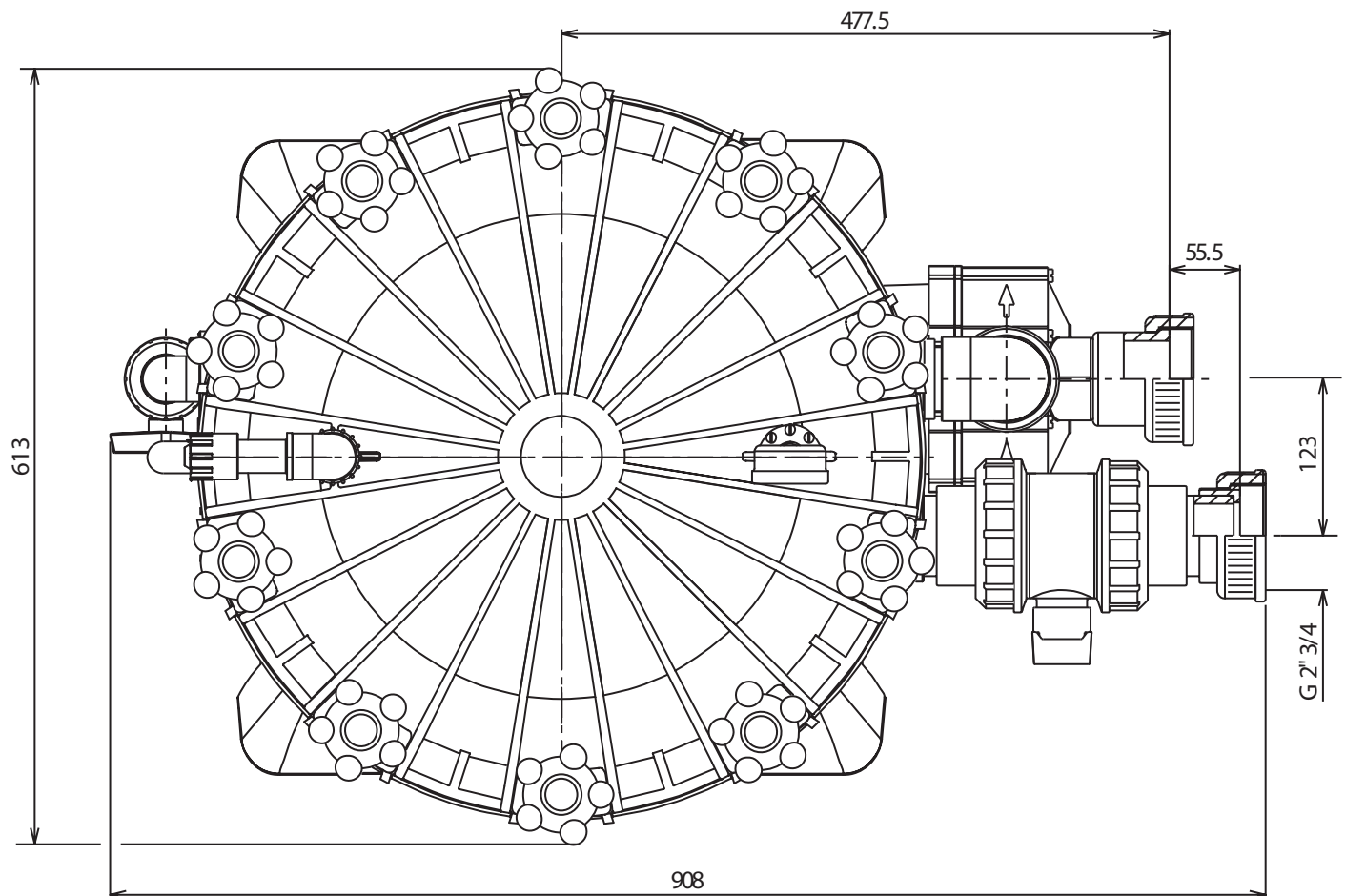


## Dimensional diagram - P50



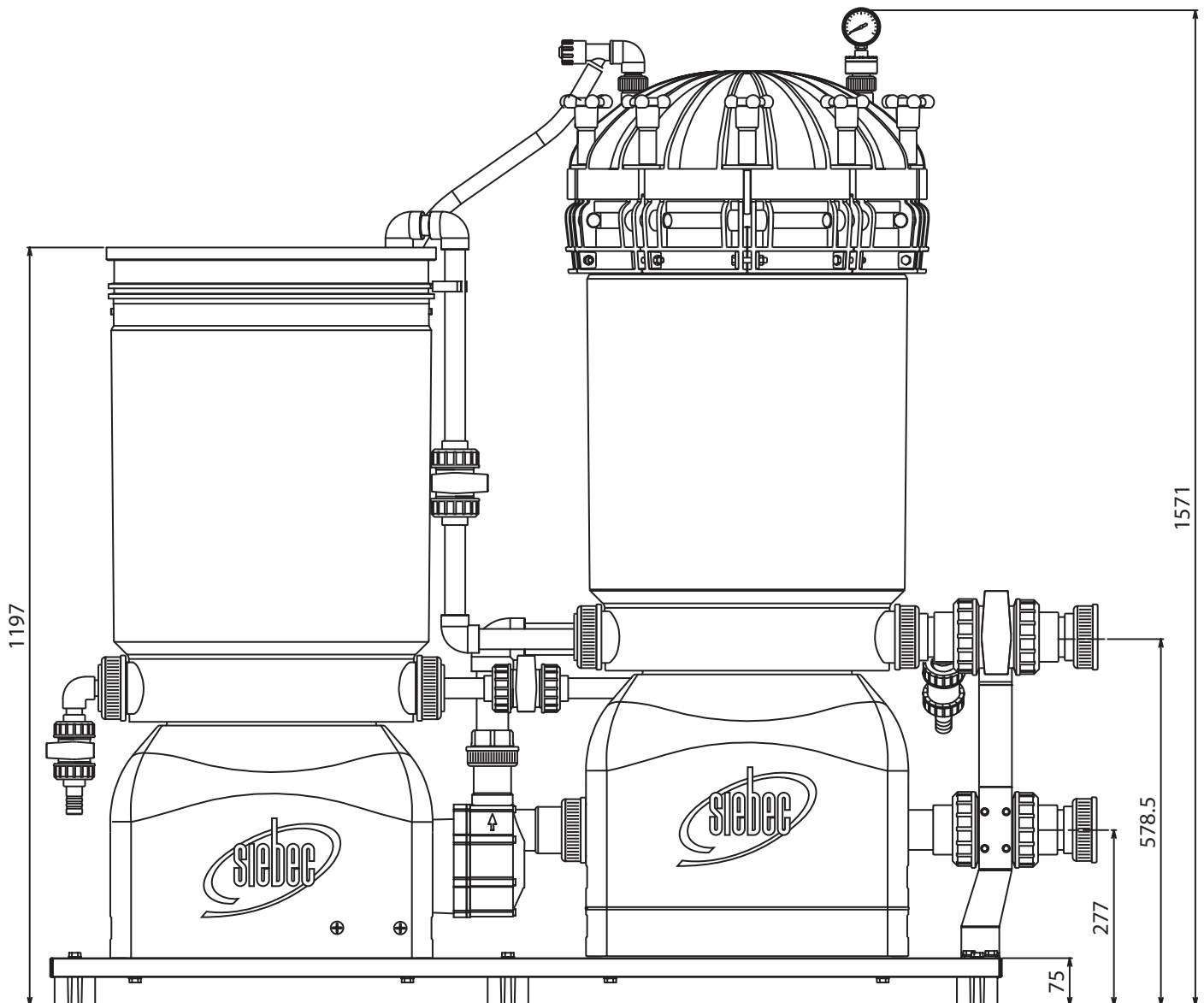


## Dimensional diagram - P50



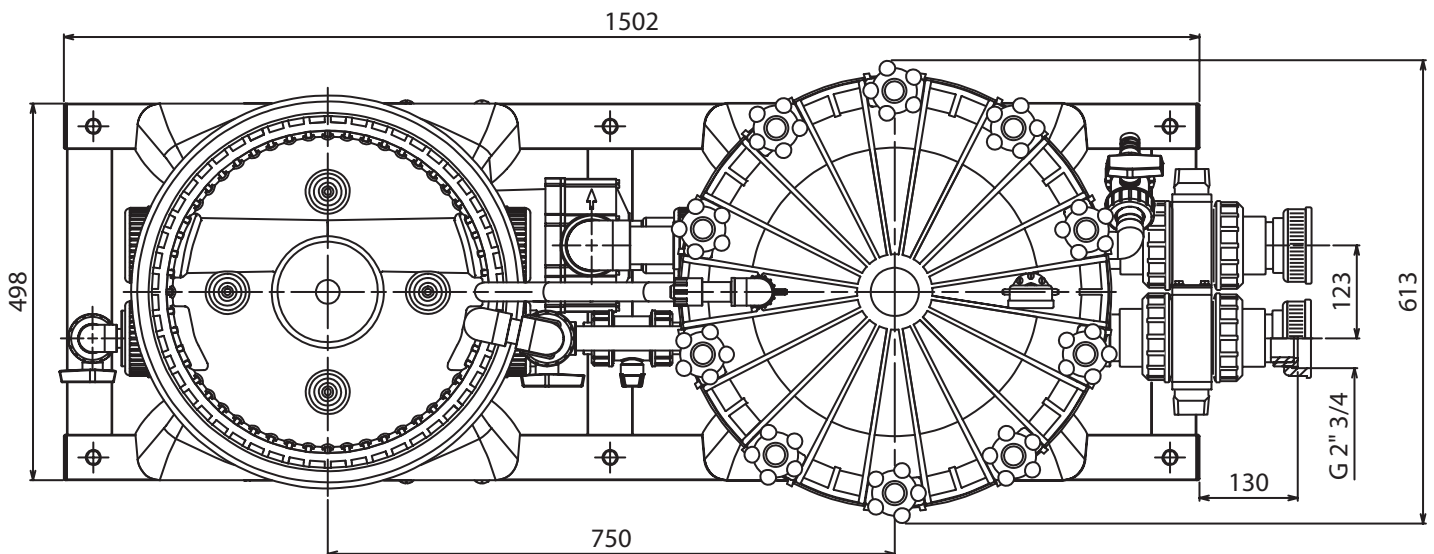


## Dimensional diagram - P50E



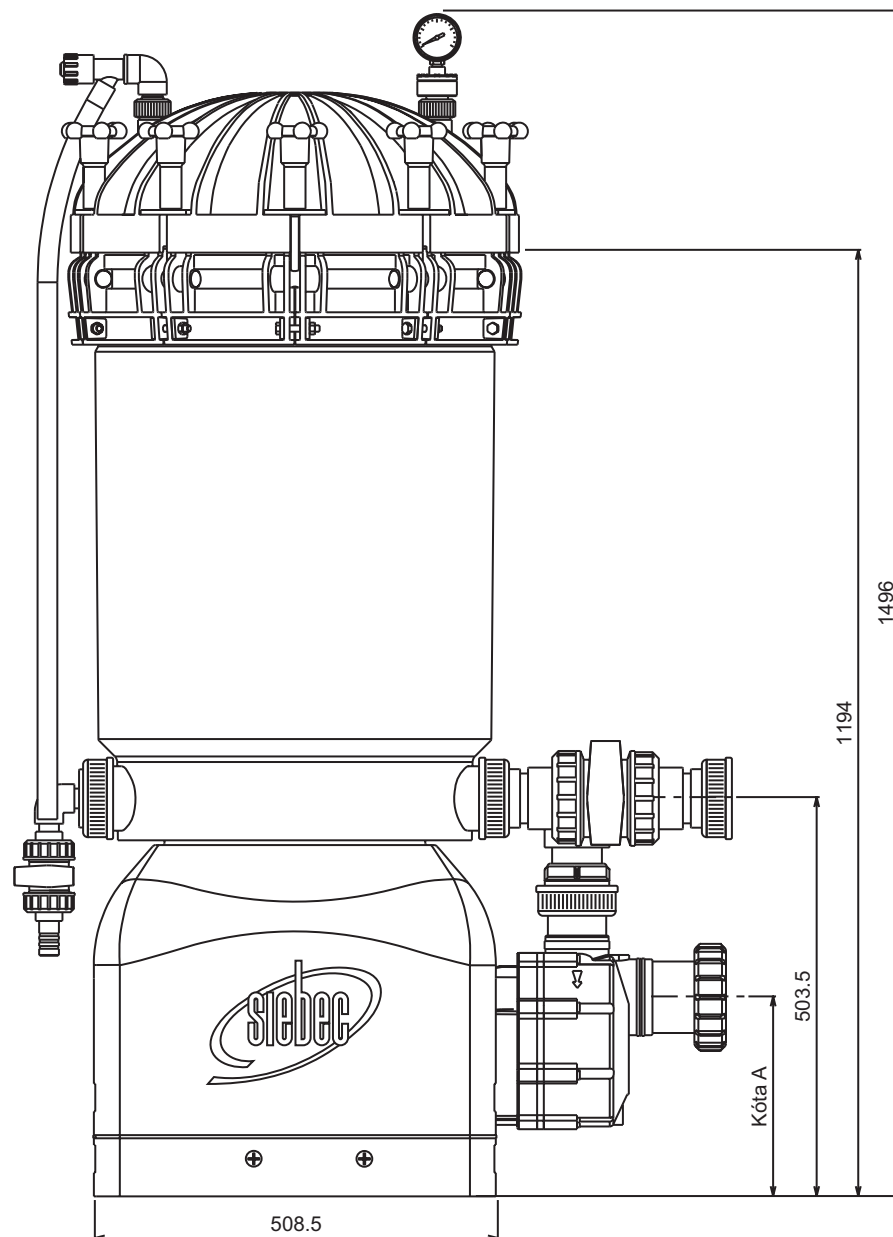


## Dimensional diagram - P50E





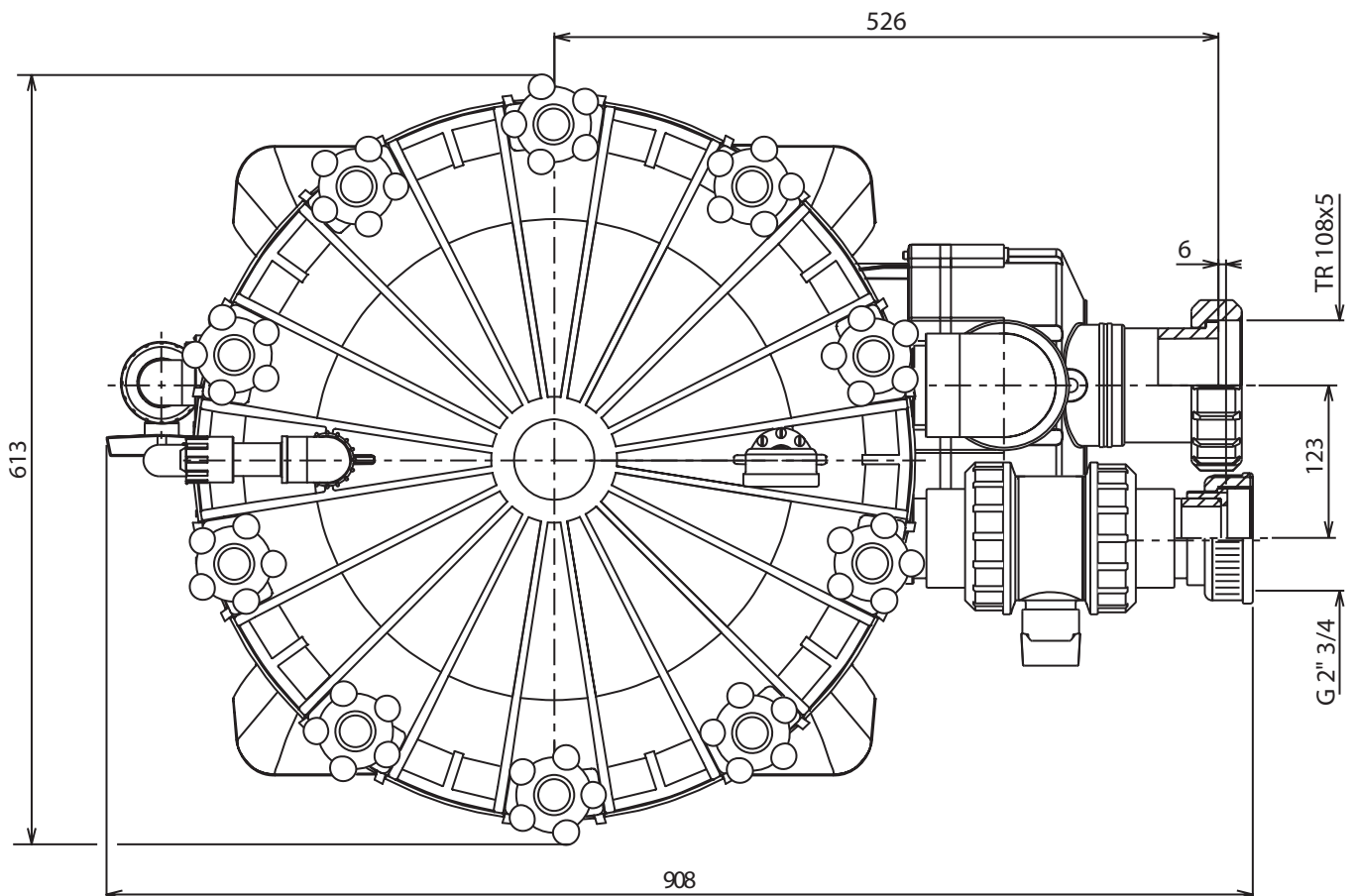
## Dimensional diagram - P51



Pump	Cote A (mm)
M300	220 mm
M400	252 mm
A27	220 mm
A30	252 mm

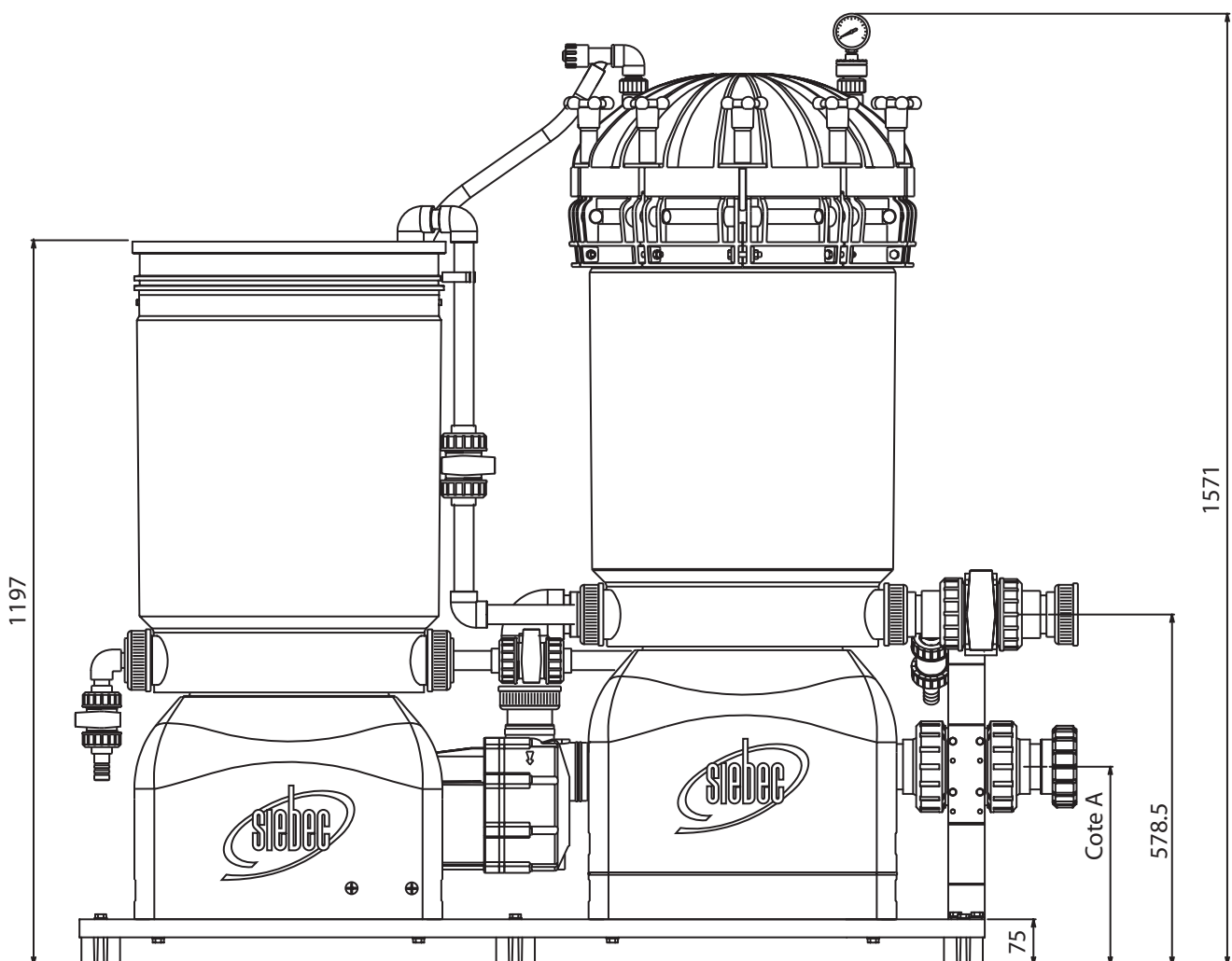


## Dimensional diagram - P51





## Dimensional diagram - P51E

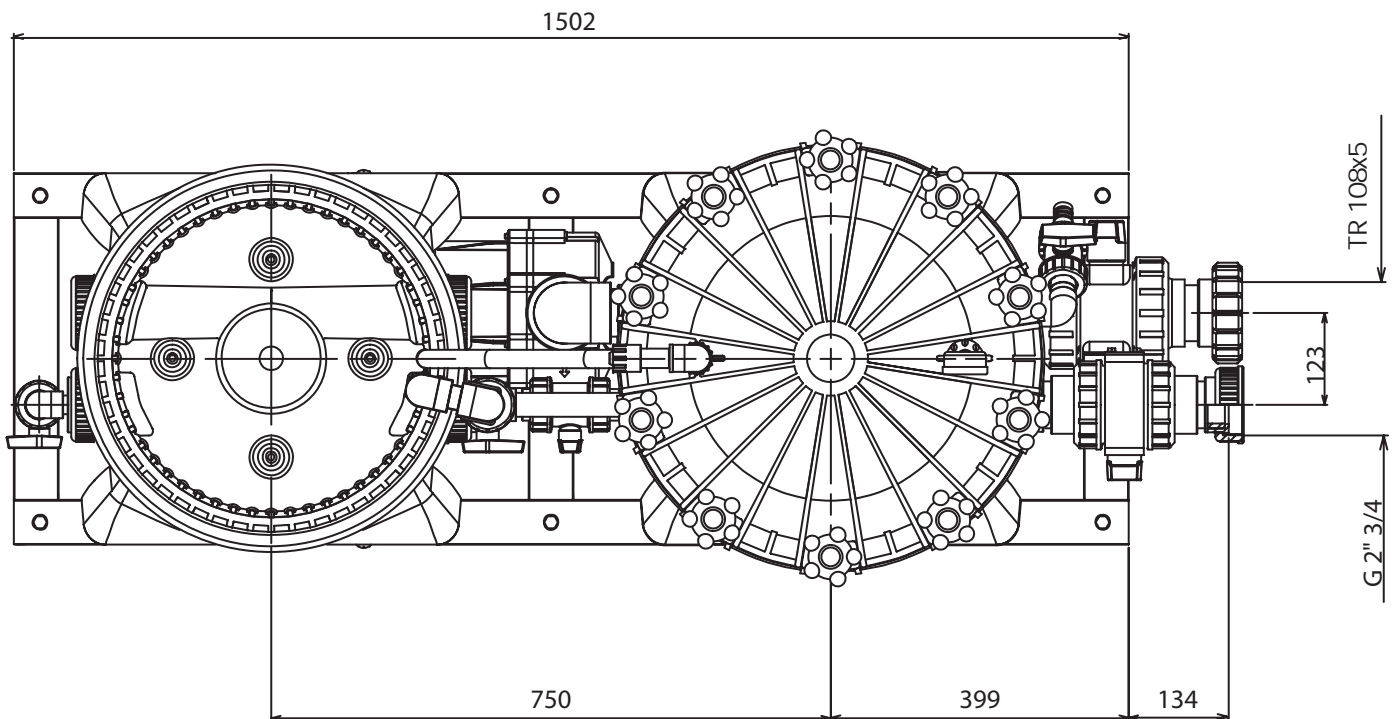


Pump	Cote A (mm)
M300	295 mm
M400	327 mm
A27	295 mm
A30	327 mm



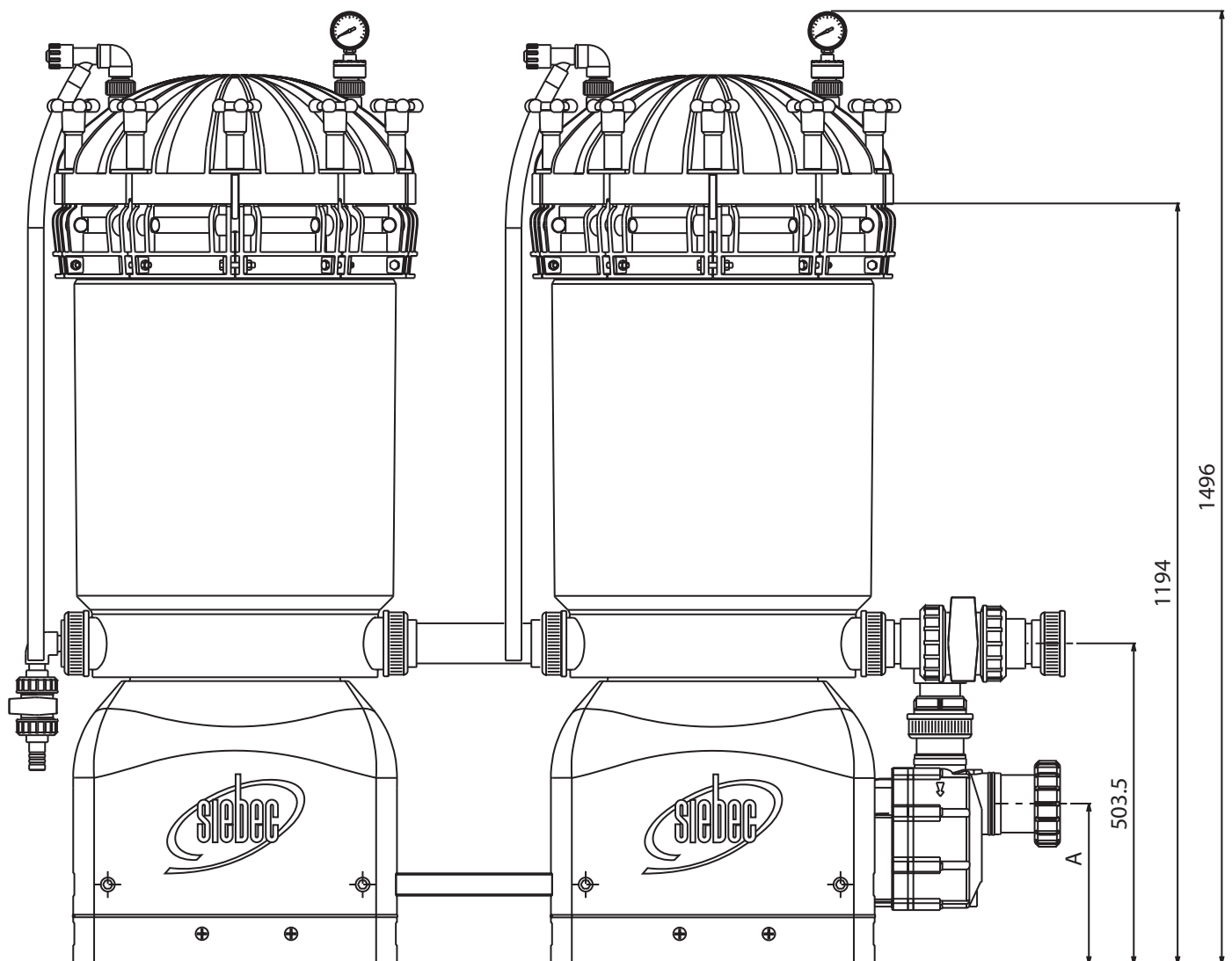


## Dimensional diagram - P51E





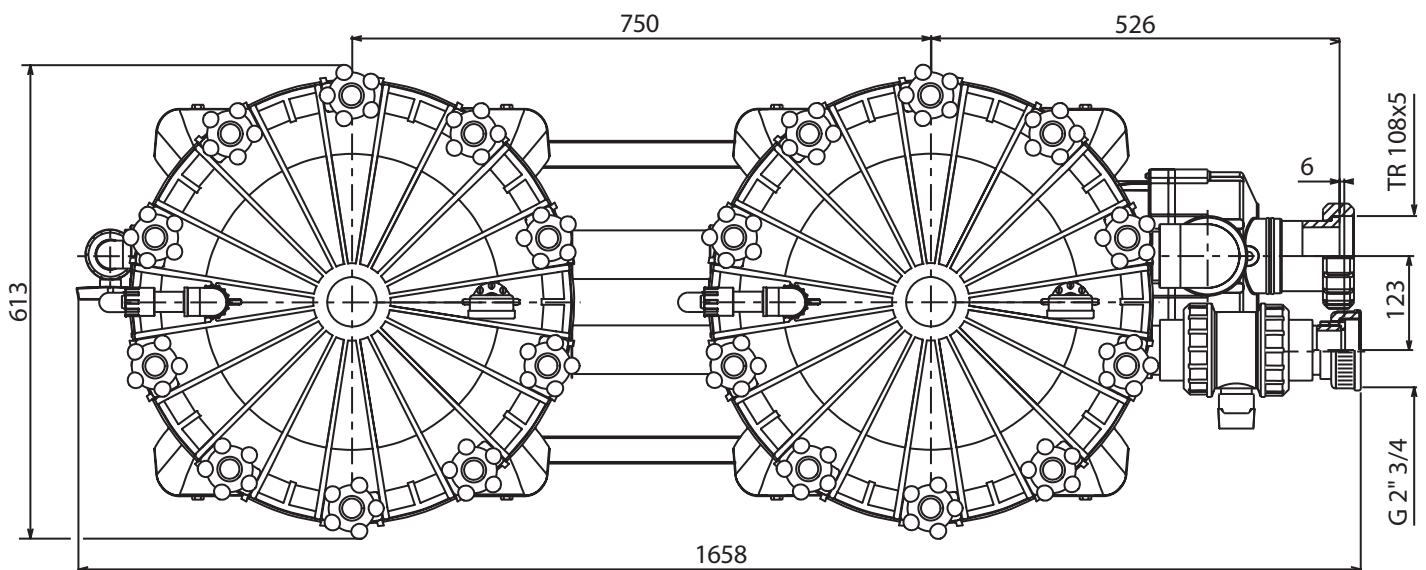
## Dimensional diagram - P52



Pump	Cote A (mm)
M300	220 mm
M400	252 mm
A27	220 mm
A30	252 mm

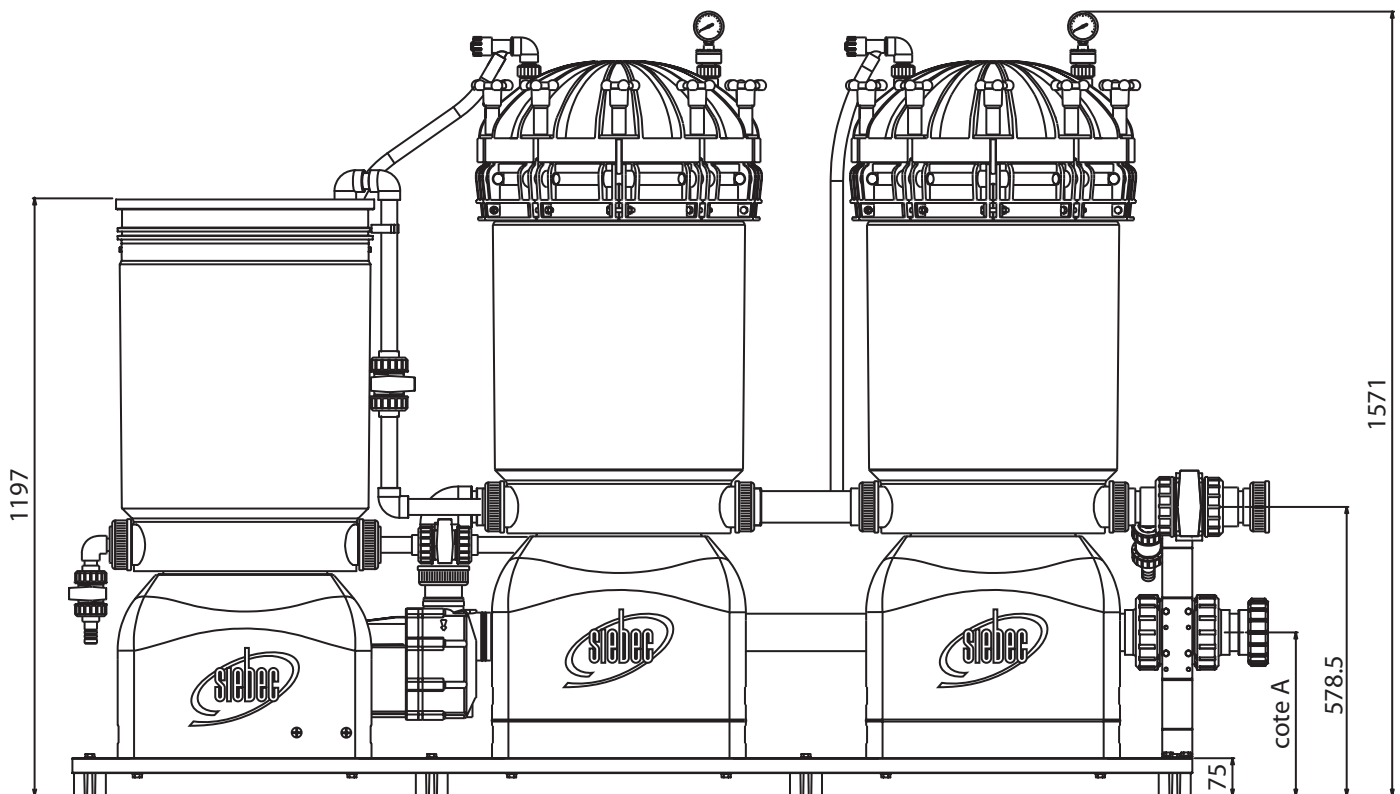


## Dimensional diagram - P52





## Dimensional diagram - P52E



Pump	Cote A (mm)
M300	295 mm
M400	327 mm
A27	295 mm
A30	327 mm



## Dimensional diagram - P52E

