



## Catalogue filters MC series



**Applications :** Filtration in galvanizing plants (nickel plating, zinc plating, chrome plating etc.)  
smaller volumes (70 to 500 litres)  
- filtration of chemical solutions  
- laboratories

### Made from injected plastic (Polypropylene)

Excellent resistance to acids and bases  
Max. fluid temperature = 80°C (PP)

### Filtration columns




Coiled filter elements, extruded or stacked 10"/20'  
filtration porosity from 50 to 2 microns

### Pumps with magnetic coupling

Output from 0,4 do 4 m3/h

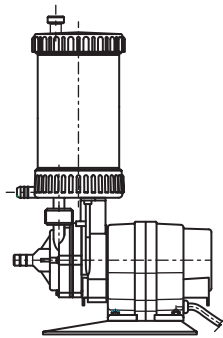
### Choice of modification

Version with double filtration column,  
parallel or serial connection

-  *Filtration apparatuses range description*
-  *Curves*
-  *Dimensional diagram*



## Filtration apparatuses range MC description



Filtration apparatuses MC4-MC10

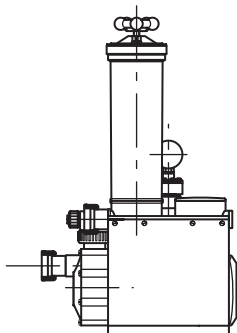
### Technical features

- Pump type M7
- Max. output from 0.35 m<sup>3</sup>/h to 0.375 m<sup>3</sup>/h
- Filtration element 1 filtration element 4" for MC4  
1 filtration element 10" for MC10

#### DIMENSIONS



#### CURVES



Filtration apparatuses MC15

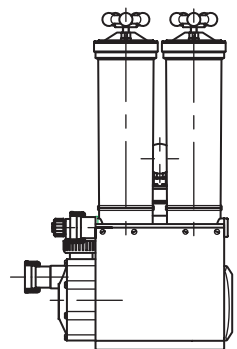
### Technical features

- Pump type M15-M35
- Max. output 1.5 m<sup>3</sup>/h
- Filtration element 1 filtration element 10"

#### DIMENSIONS



#### CURVES

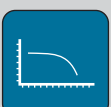


Filtration apparatuses MC15

### Technical features

- Pump type M35-M50
- Max. output from 1.3 m<sup>3</sup>/h to 4 m<sup>3</sup>/h
- Filtration element 2 filtration elements 10"  
or  
2 filtration elements 20"

#### DIMENSIONS



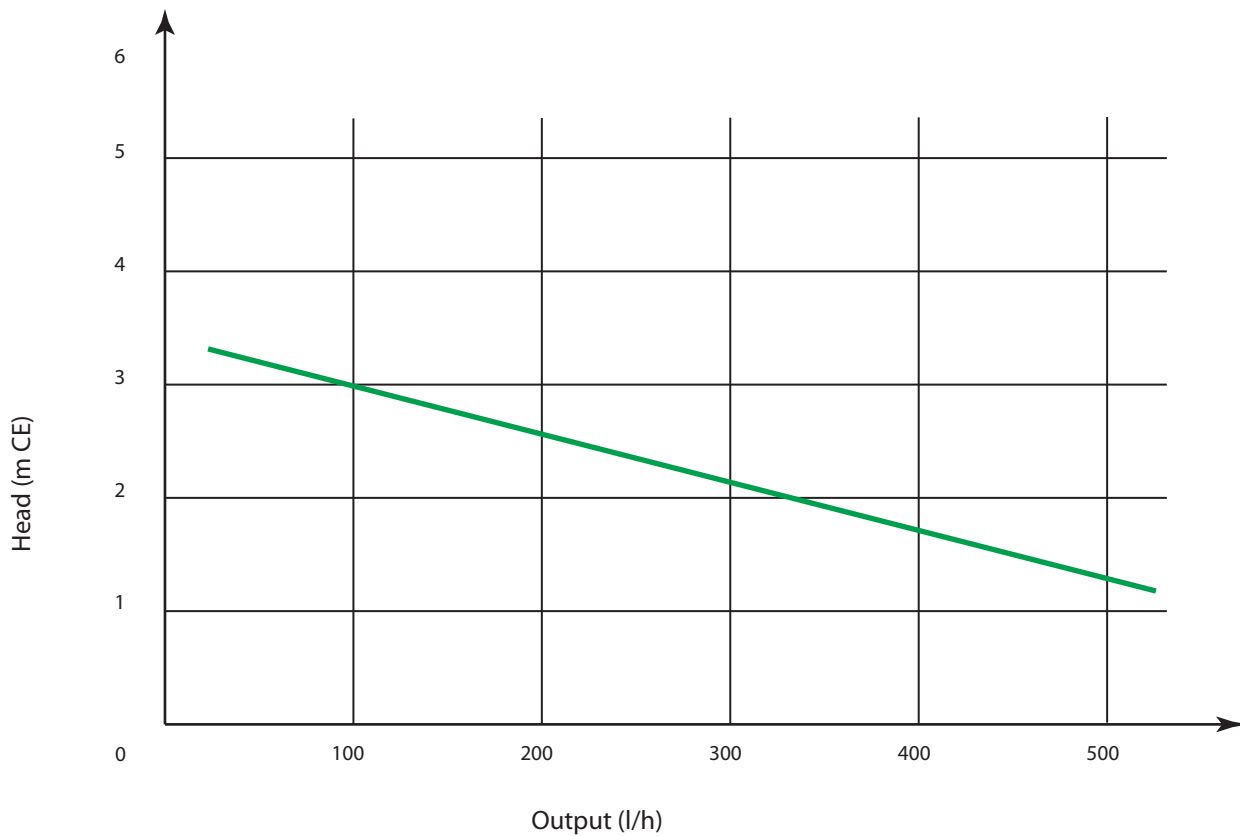
#### CURVES



## Curves

### Filtration apparatuses MC4 - MC10

- Pump delivery head in metres
- Delivery l/h

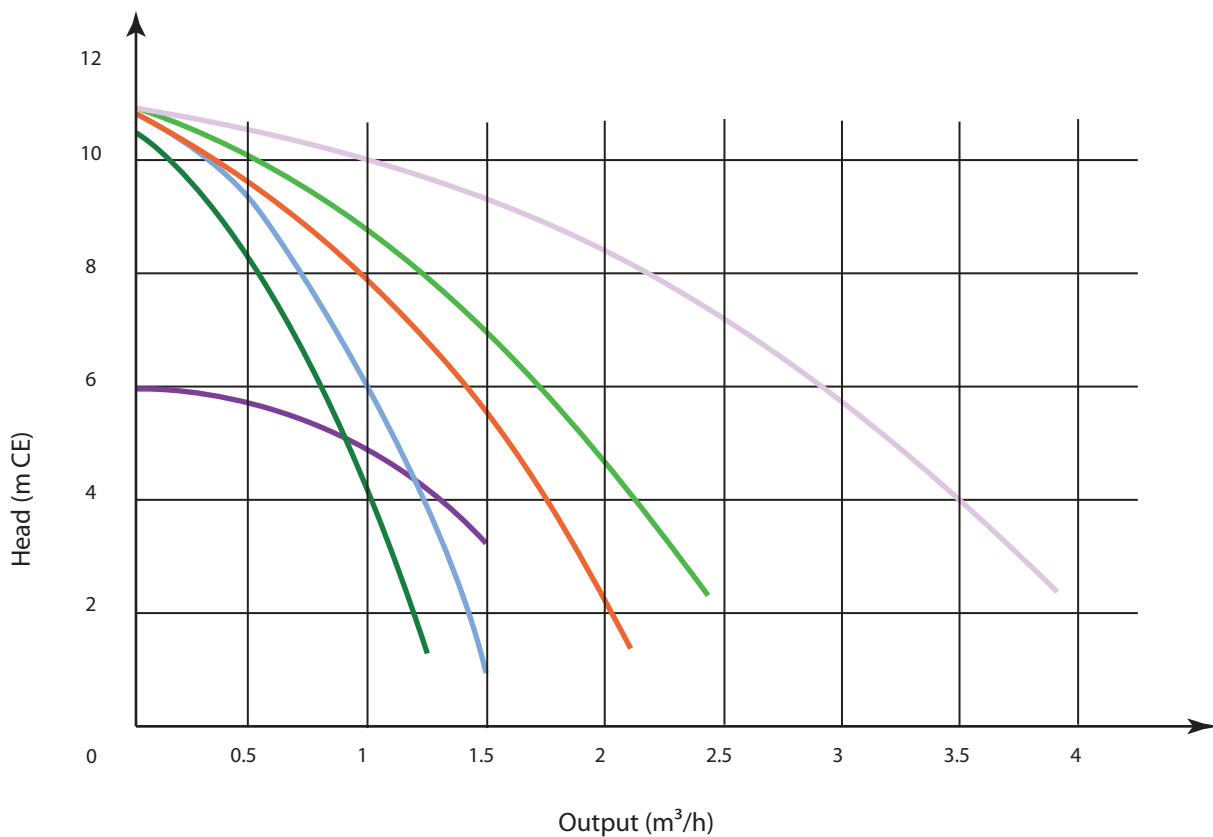




# Curves

## Filtration apparatuses MC 15

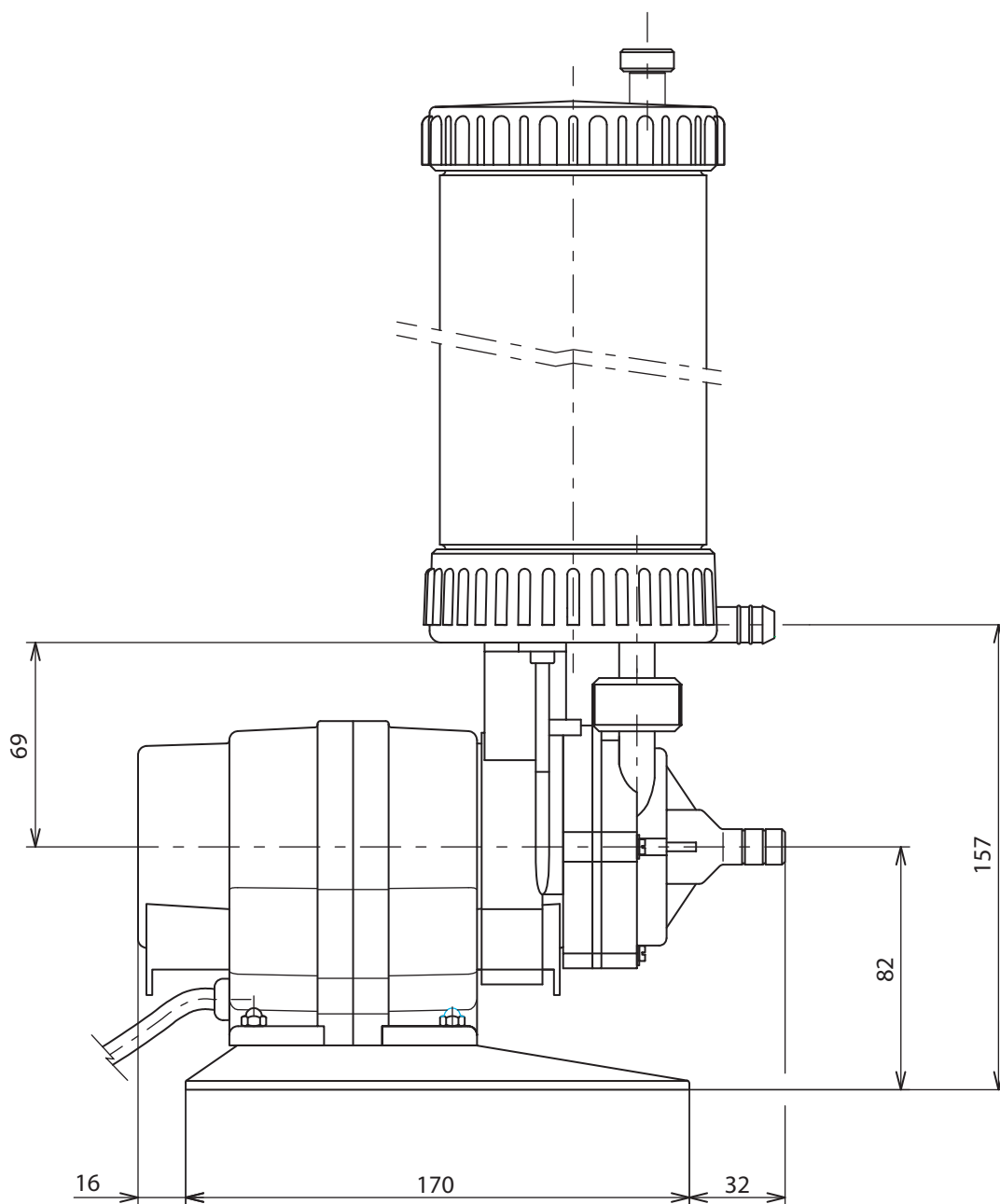
- Pump delivery head in metres
- Delivery m<sup>3</sup>/h



- MC15 with 1 filtration element 10" - Pump M15
- MC15 with 1 filtration element 10" - Pump M35
- MC15 with 2 filtration elements 10" serial - Pump M35
- MC15 with 2 filtration elements 10" parallel - Pump M35
- MC15 with 2 filtration elements 20" serial - Pump M50
- MC15 with 2 filtration elements 20" parallel - Pump M50

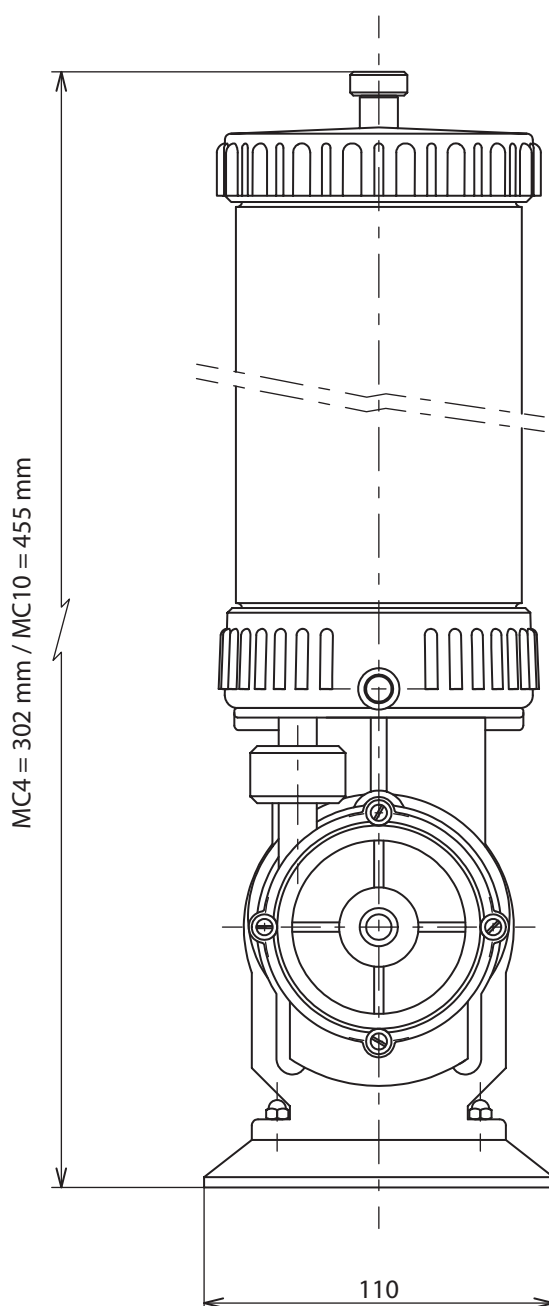


## Dimensional diagram MC4 - MC10



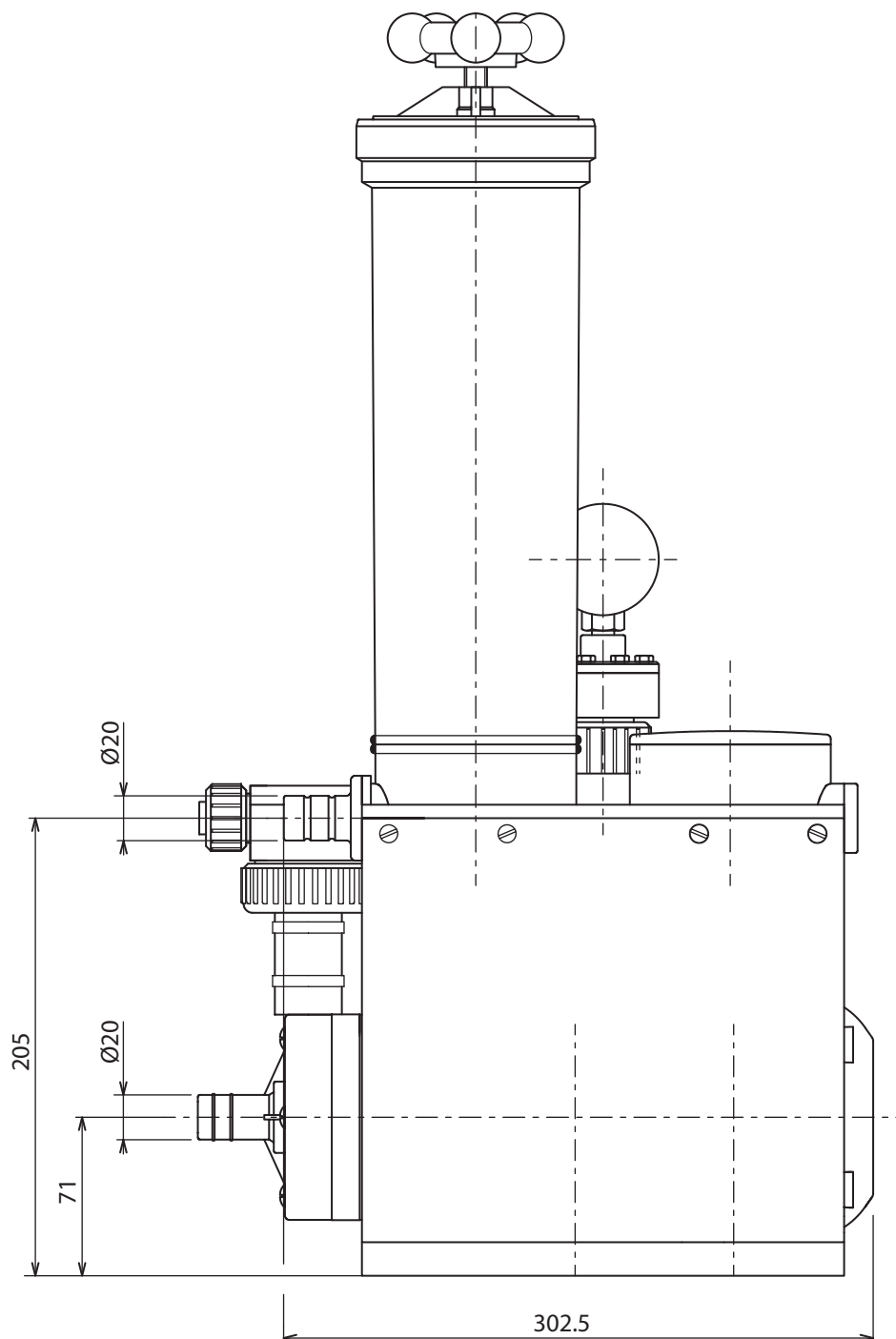


## Dimensional diagram MC4 - MC10





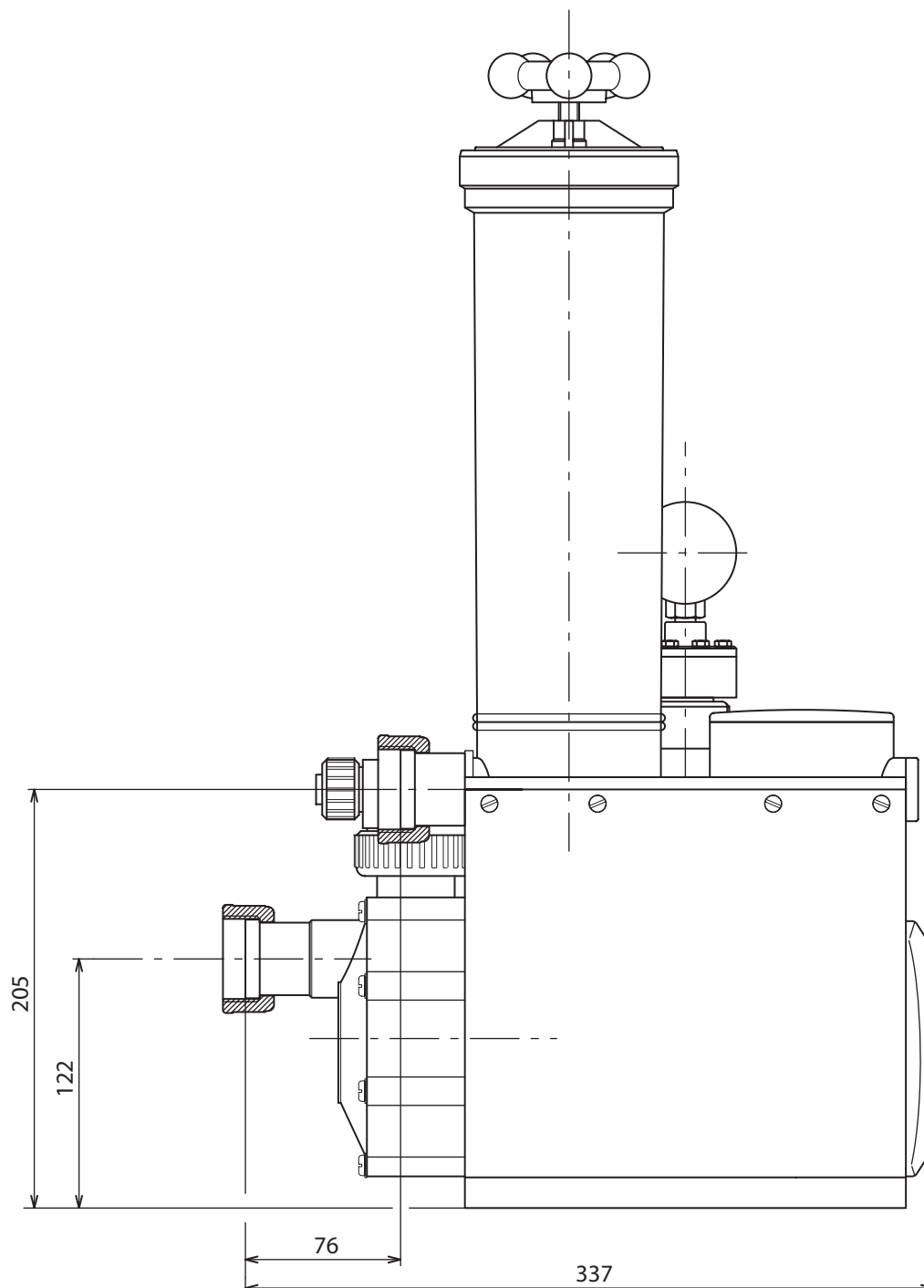
## ***Dimensional diagram MC15 with column 10" and pump M15***



[www.watek.cz](http://www.watek.cz)



## ***Dimensional diagram MC15 with column 10" and pump M35***

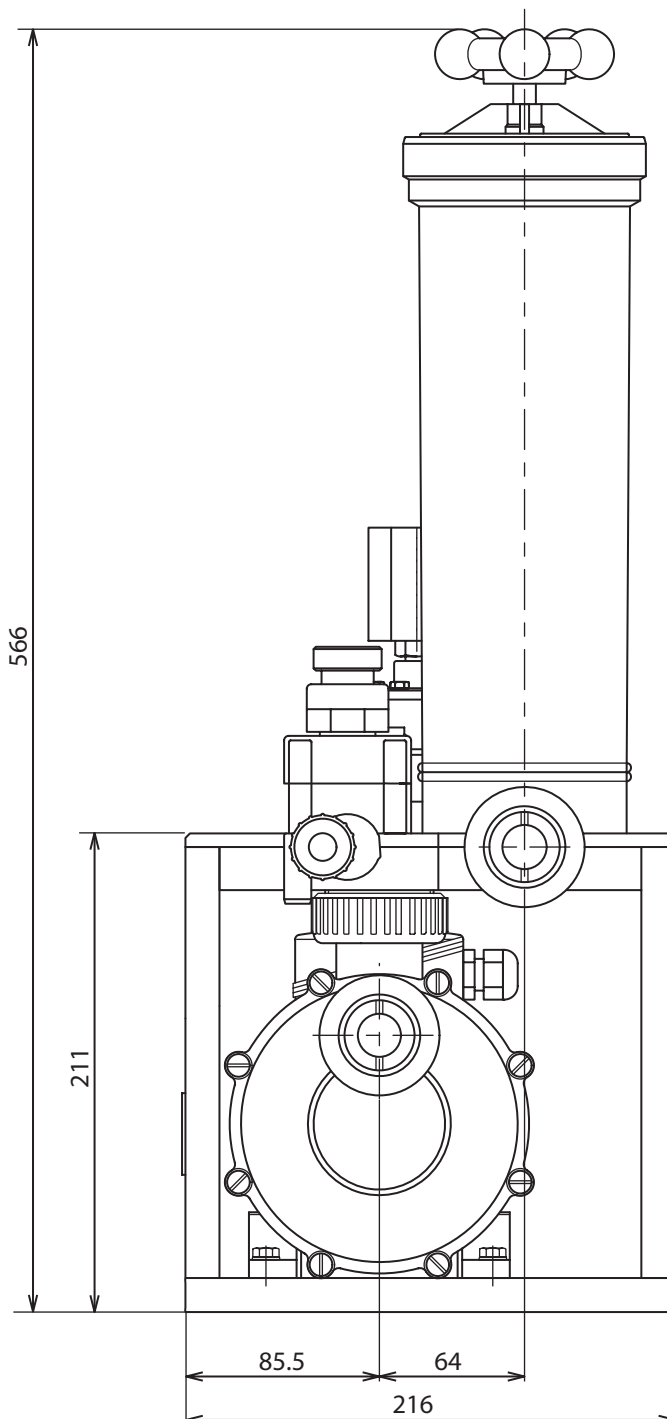


[www.watek.cz](http://www.watek.cz)



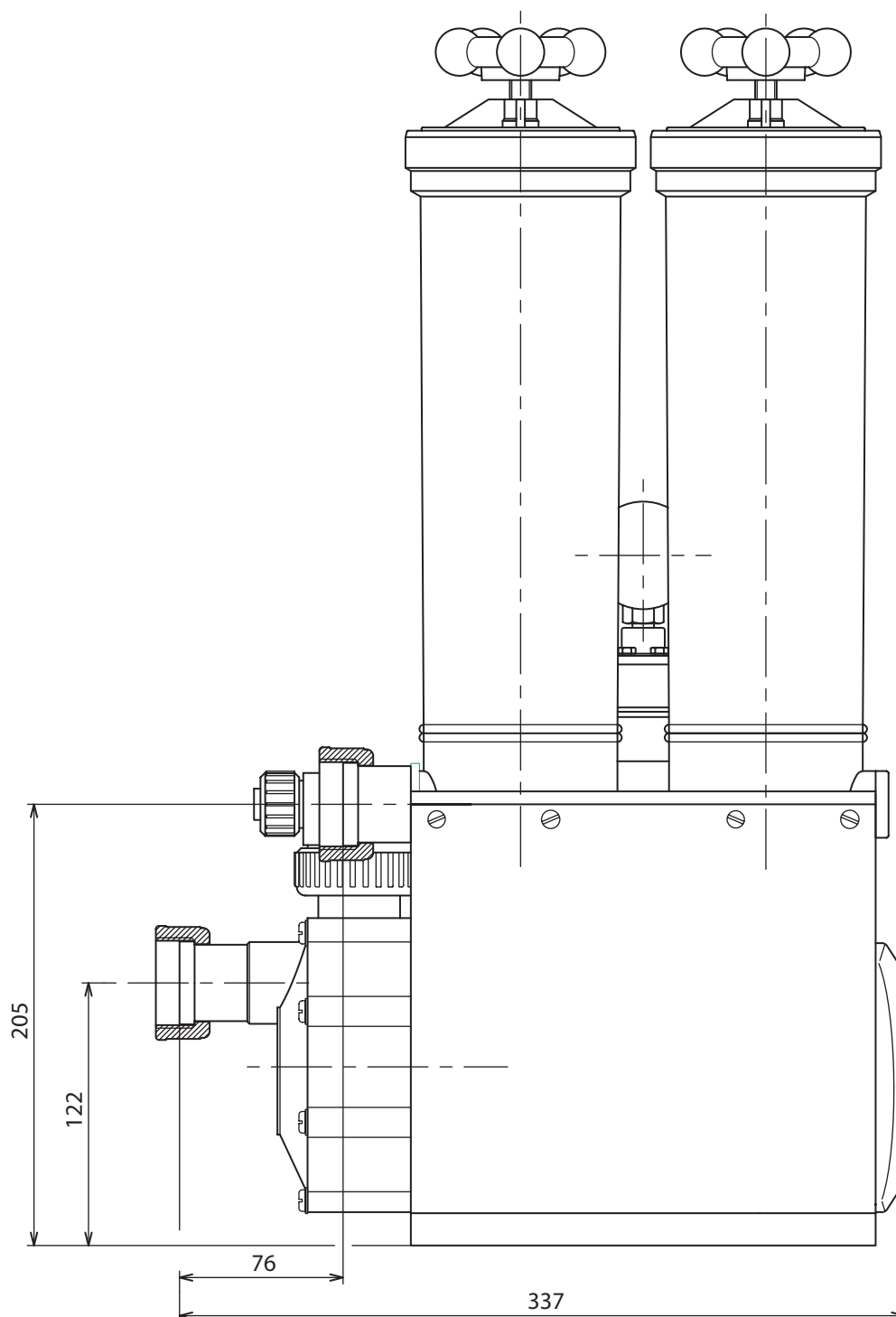


## ***Dimensional diagram MC15 with column 10" and pump M35***



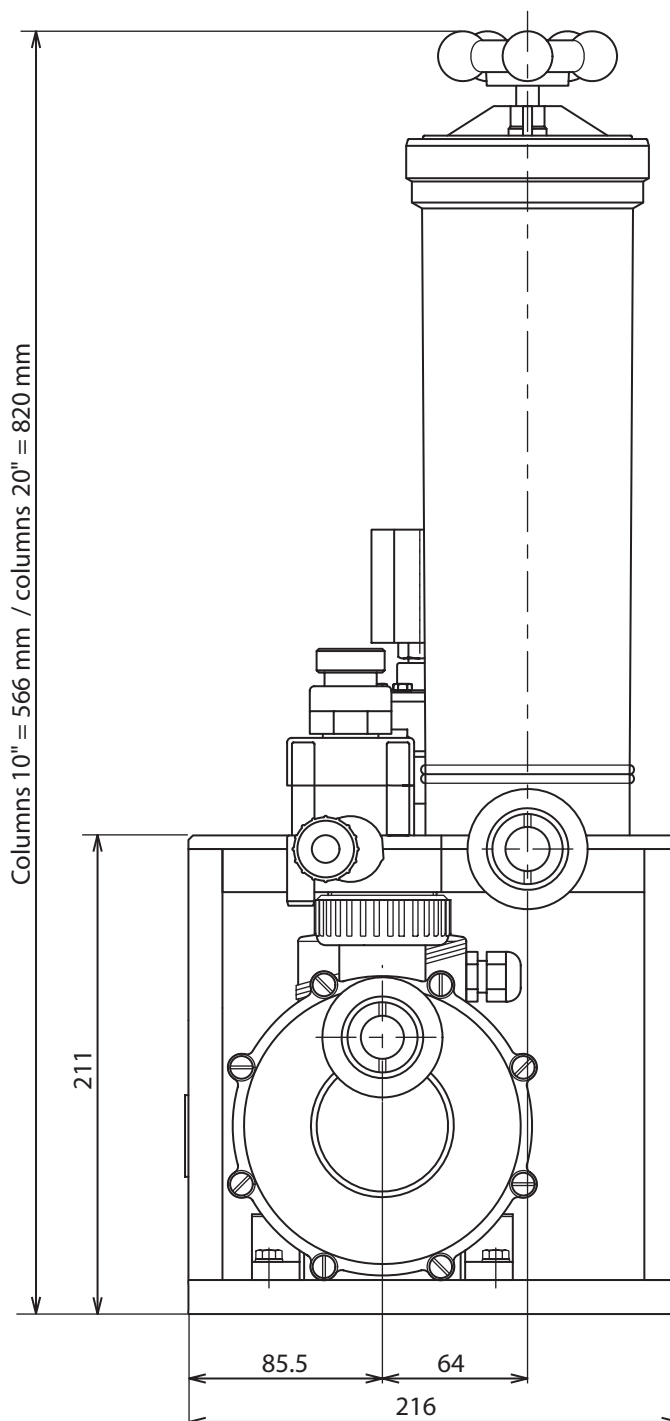


## Dimensional diagram MC15 - 2 columns



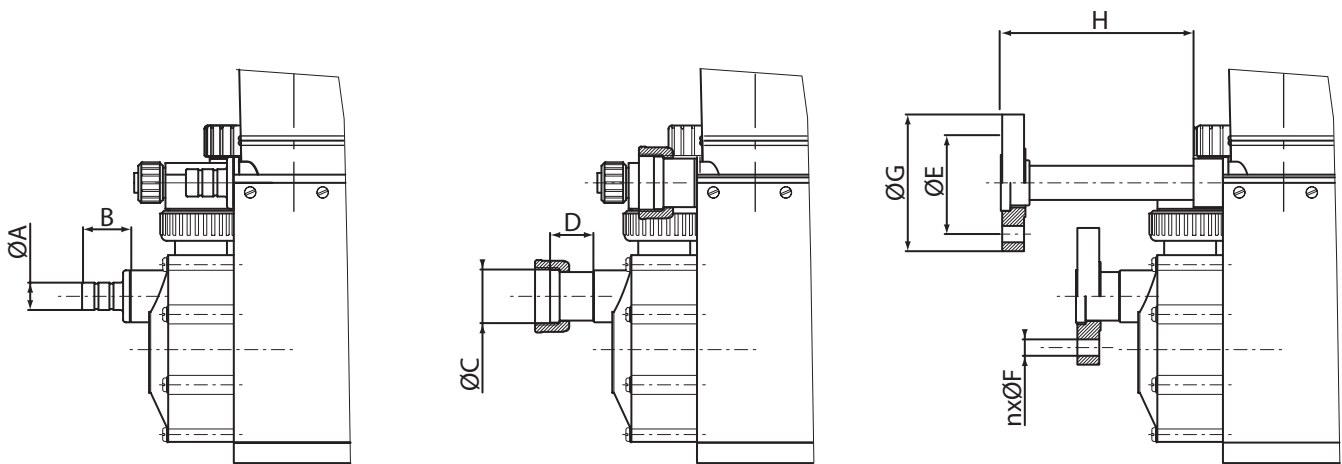


## Dimensional diagram MC15 - 2 columns





## Possibility of MC15 connection



Pump		Grooved nozzle ØA - B	Union nut ØC (DN) - D	Flange ØG - ØE - nxØF - H
M35	Inlet	20 - 35	G1"1/4 - DN15 - 30	100 - 75 - 4x12 - 31.5
	Outlet	20 - 35	G1"1/4 - DN15 - 30	100 - 75 - 4x12 - 140
M50	Inlet	25 - 35	G1"1/2 - DN20 - 30	100 - 75 - 4x12 - 31.5
	Outlet	25 - 35	G1"1/2 - DN20 - 30	100 - 75 - 4x12 - 140