







Catalogue filters L series



-  [Filtration apparatuses range description](#)
-  [Filtration element](#)
-  [Curves](#)
-  [Dimensional diagram](#)

Applications : Filtration in galvanizing plants (nickel plating, zinc plating, chrome plating etc.)
 volumes (500 to 3000 litres)
 . Pharmaceutical industry
 . Water affairs

Made from injected plastic (Polypropylene or PVDF)

Excellent resistance to acids and bases
 Max. fluid temperature = 80°C (PP), 110°C (PVDF)

Filtration with L-TECH cartridge

Cartridges with filtration area of 10 m², low operating expenses, filtration porosity from 50 to 2 microns

Easy filtration elements replacement

Paper filtration, between 20 to 96 plates ϕ 195 mm
 Filtration through 7 coiled or extruded elements size 10" / 20" / 30"
 Fine filtration between 50 to 1 micron

Pumps with magnetic coupling or mechanical gland

Output from 1.5 to 18 m³/h

Choice of modification

Apparatus types with double filtration column and increased capacity

Apparatus types with overlay reservoir

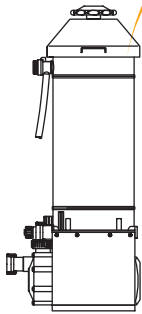
use for overlay or dilution of auxilliary filtration agents and active charcoal overlay

Choice of active charcoal column replacement with filter element L-TECH

Filtration through active charcoal pellets



L filter range



L20 - L30 - L50 filters

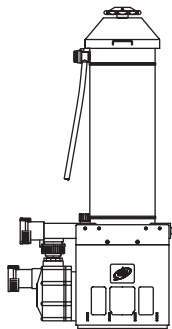
Technical features

- Pump models *M15-M50-M70*
- Max. output *from 1.5 m³/h to 5 m³/h*
- Filtering element *from 20 to 64 thin plates (0.45 to 1.44 m²)*
7 spun-bonded cartridges 10" or 20"
1 L TECH cartridge 10" or 20" (2.5 to 5 m²)
1 activated carbon canister (5.8 to 11.6 l)

DIMENSIONS



CURVES



L31 - L51 - L81 filters

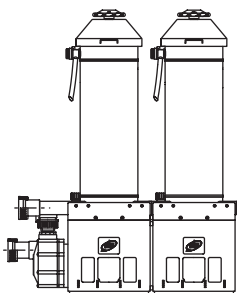
Technical features

- Pump models *M100-M140-M200-M250*
- Max. output *from 9 m³/h to 18 m³/h*
- Filtering element *from 32 to 96 thin plates (0.72 to 2.16 m²)*
7 spun-bonded cartridges 10", 20" or 30"
1 LTECH cartridge 10" or 20" (2.5 to 5 m²)
1 activated carbon canister (5.8 to 17.3 l)

DIMENSIONS



CURVES



L52 - L82 filters

Technical features

- Pump model *M140 - M200 - M250*
- Max. output *from 11 m³/h to 18 m³/h*
- Filtering element *2 x 64 or 96 thin plates (2 x 1.44 or 2 x 2.16 m²)*
2 x 7 spun-bonded cartridges 20" or 30"
2 LTECH cartridges 20" (2 x 5 m²)
2 activated carbon canisters (2 x 11.6 or 17.3 l)

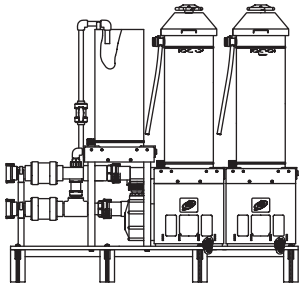
DIMENSIONS



CURVES



L filter range



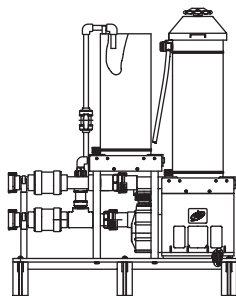
L58 - L88 filters

- Pump model *M140 - M200 - M250*
- Max. output *from 11 m³/h to 18 m³/h*
- Filtering element *2 x 64 or 96 thin plates (2 x 1.44 or 2 x 2.16 m²)
2 x 7 spun-bonded cartridges 20" or 30"
2 LTECH cartridges 20" (2 x 5 m²)
2 active carbon canisters (2 x 11.6 or 17.3 l)
16 liters pre-coat tank*

DIMENSIONS



CURVES



L59 - L89 filters

Technical features

- Pump model *M140 - M200 - M250*
- Max. output *from 11 m³/h to 18 m³/h*
- Filtering element *from 64 to 96 thin plates (1.44 to 2.16 m²)
7 spun-bonded cartridges 20" or 30"
1 LTECH cartridge 20" (5 m²)
1 active carbon canister (11.6 or 17.3 l)
16 liters pre-coat tank*

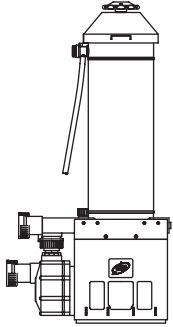
DIMENSIONS



CURVES



L filter range



L31 - L51 PVDF filters

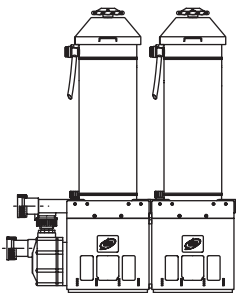
Technical features

- Pump models *M100-M140-M200-M250*
- Max. output *from 9 m³/h to 18 m³/h*
- Filtering element *from 32 to 64 thin plates (0.72 to 1.44 m²)
7 glass fiber cartridges 10" or 20"*

DIMENSIONS



CURVES



L52 PVDF filters

Technical features

- Pump model *M140 - M200 - M250*
- Max. output *from 11 m³/h to 18 m³/h*
- Filtering element *2 x 64 thin plates (2 x 1.44 m²)
2 x 7 glass fiber cartridges 20"*

DIMENSIONS



CURVES



Filtration elements



Cartridge with large filtration area (5 m²), low operational cost, filter porosity from 50 microns to 2 microns

Active charcoal reservoir replaceable with L-TECH cartridge



Filtration through 7 coiled or extruded cartridges, size 10"/20"/30" a porosity from 50 to 1 micron

Filtration through filtration paper between 20 to 96 plates o 195 mm, 0.45 to 2.16 m²

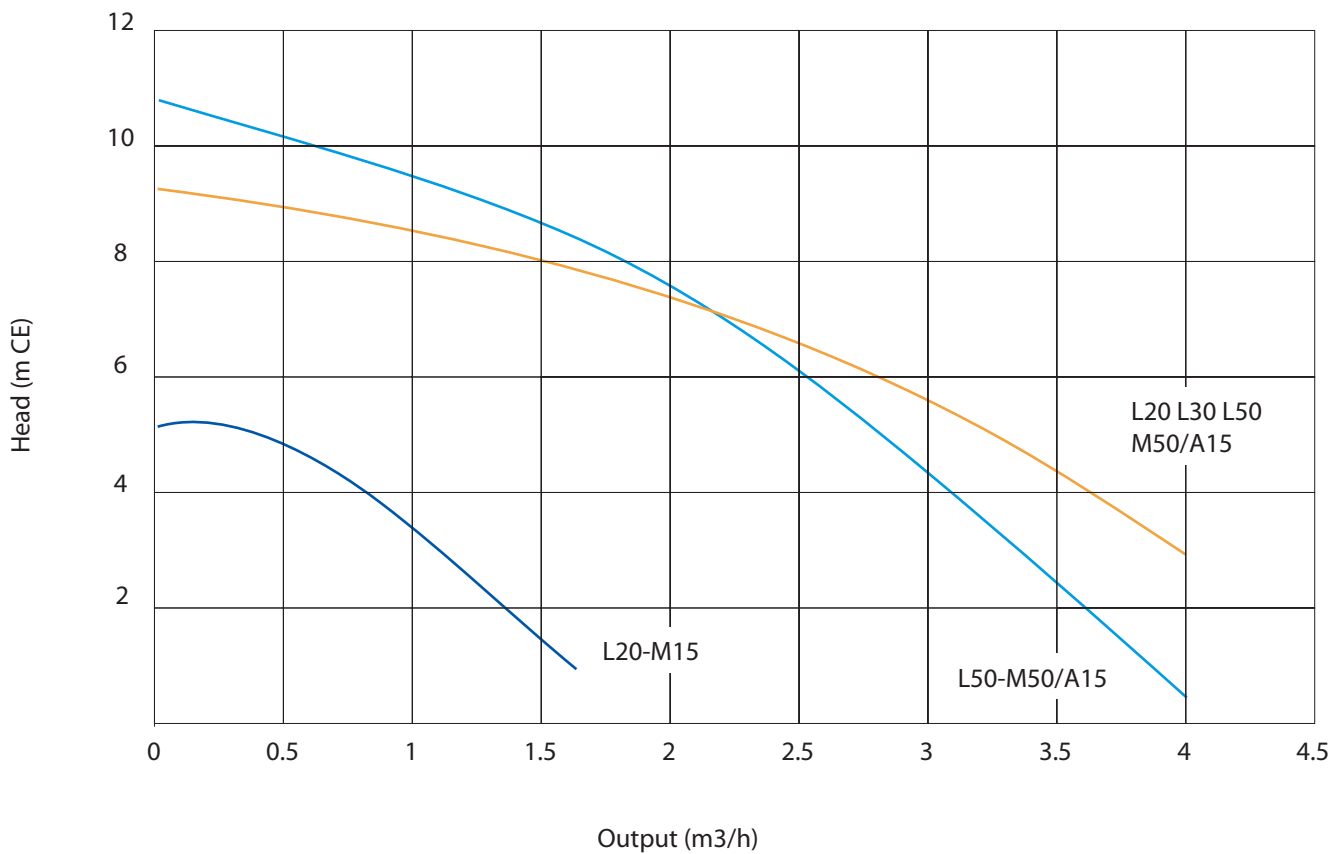




Curves

Filtration apparatuses L20 - L50

- Pump delivery head in metres
- Delivery m^3/h

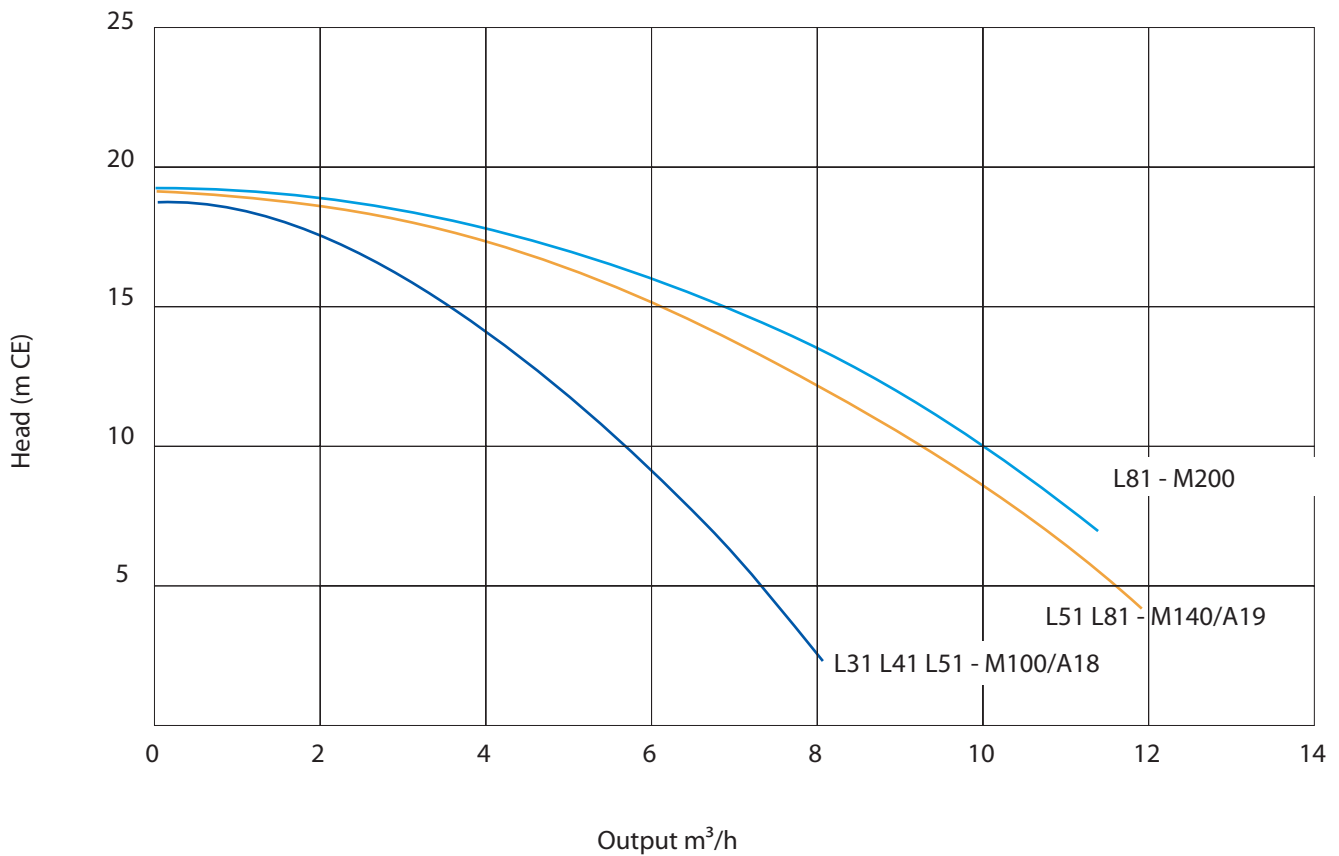




Curves

Filtration apparatuses L31 - L81

- Pump delivery head in metres
- Delivery m³/h

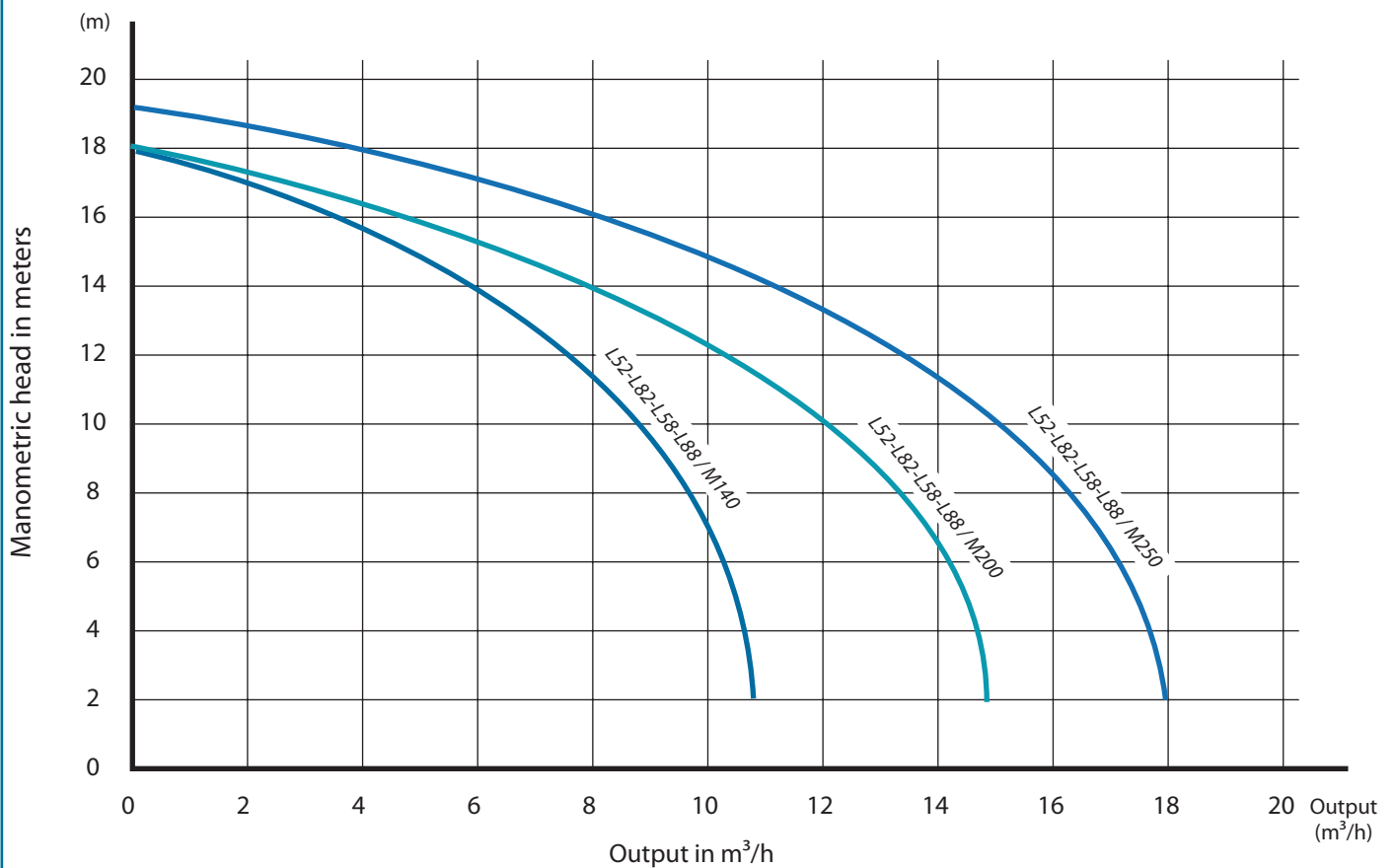




Curves

Filtration apparatuses L52 -L58-L82-L88

- **Manometric head in meters**
- **Output in m³/h**

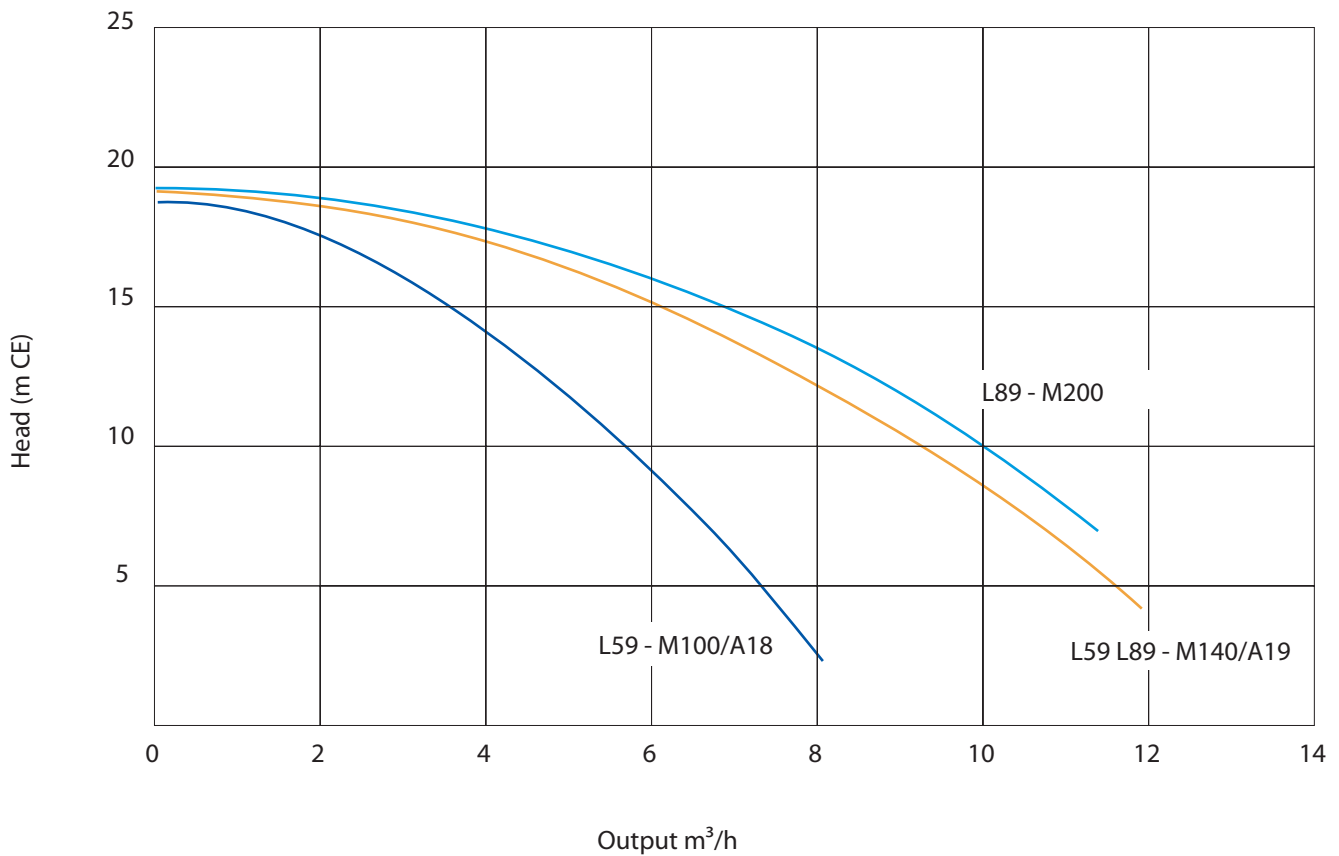




Curves

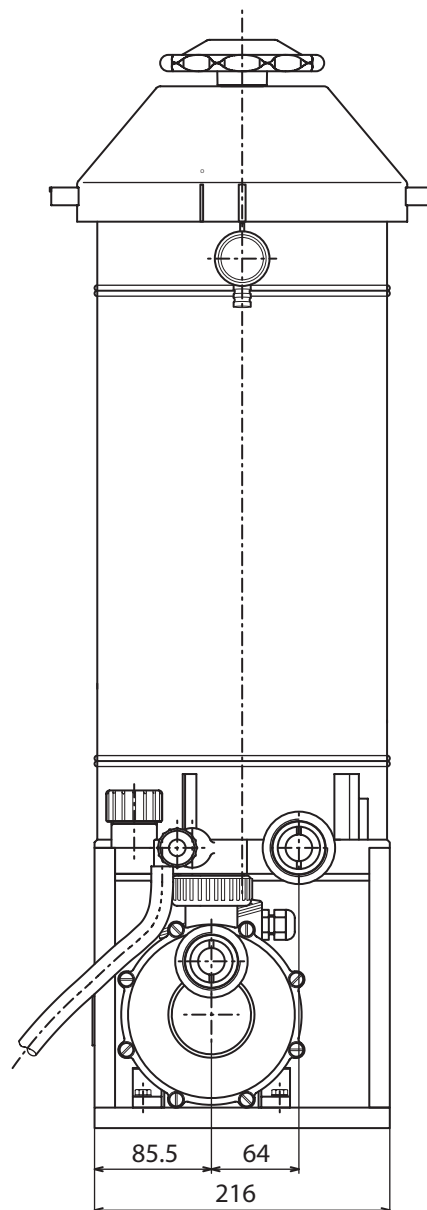
Filtration apparatuses L59 - L89

- Pump delivery head in metres
- Delivery m^3/h



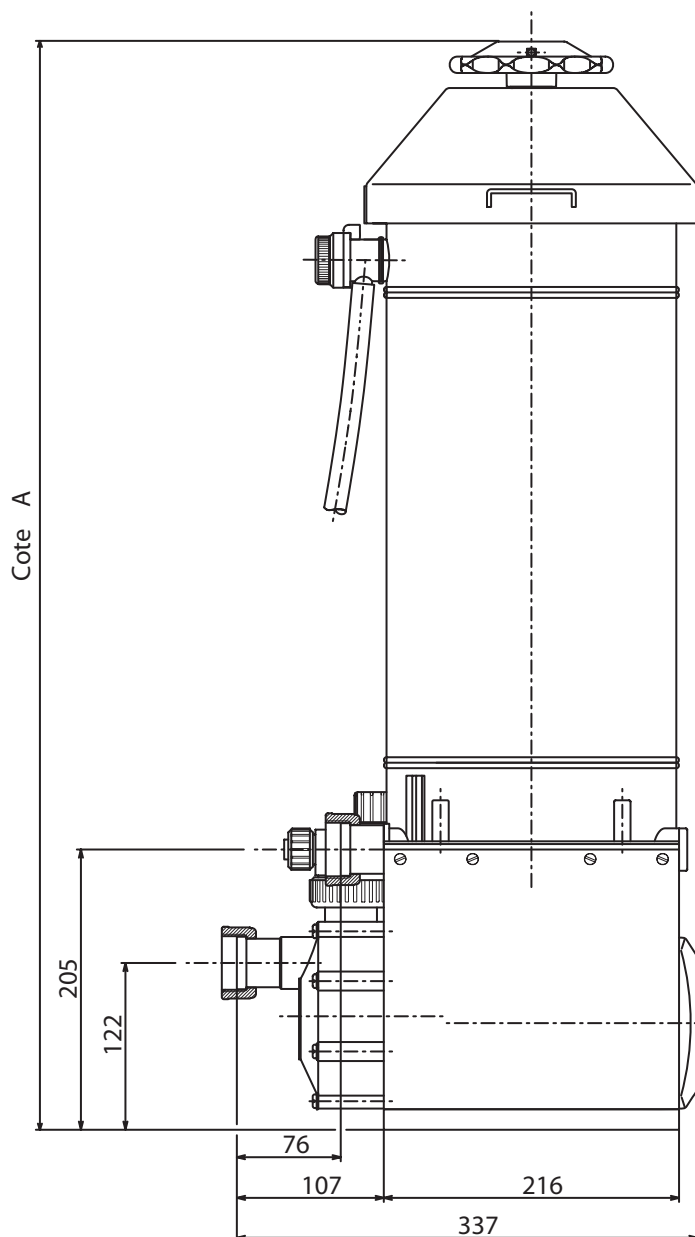


Dimensional diagram L20-L50





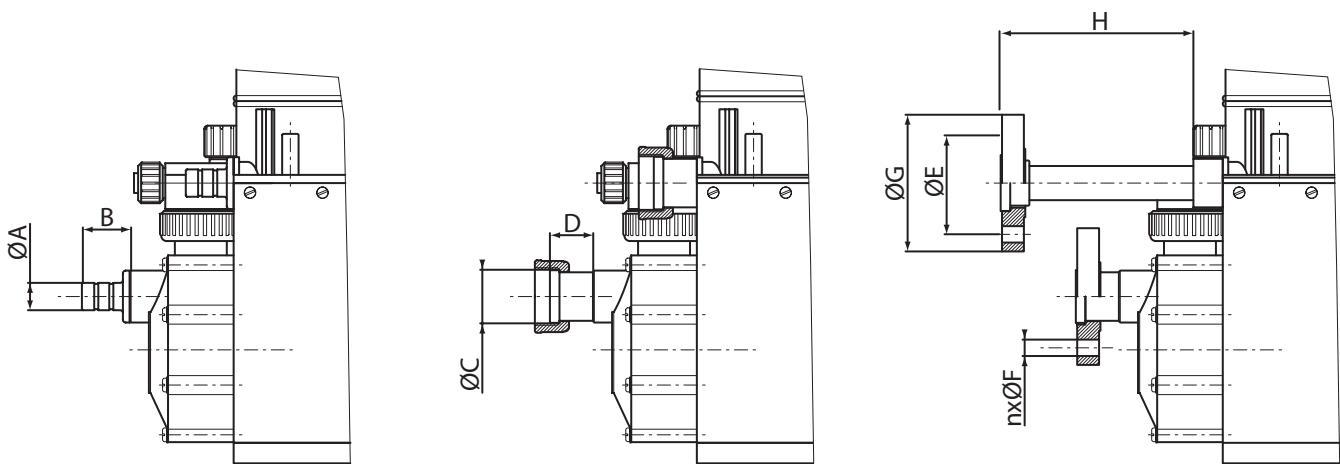
Dimensional diagram L20-L50



	Cote A
L20	600 mm
L30	696 mm
L40	816 mm
L50	950 mm



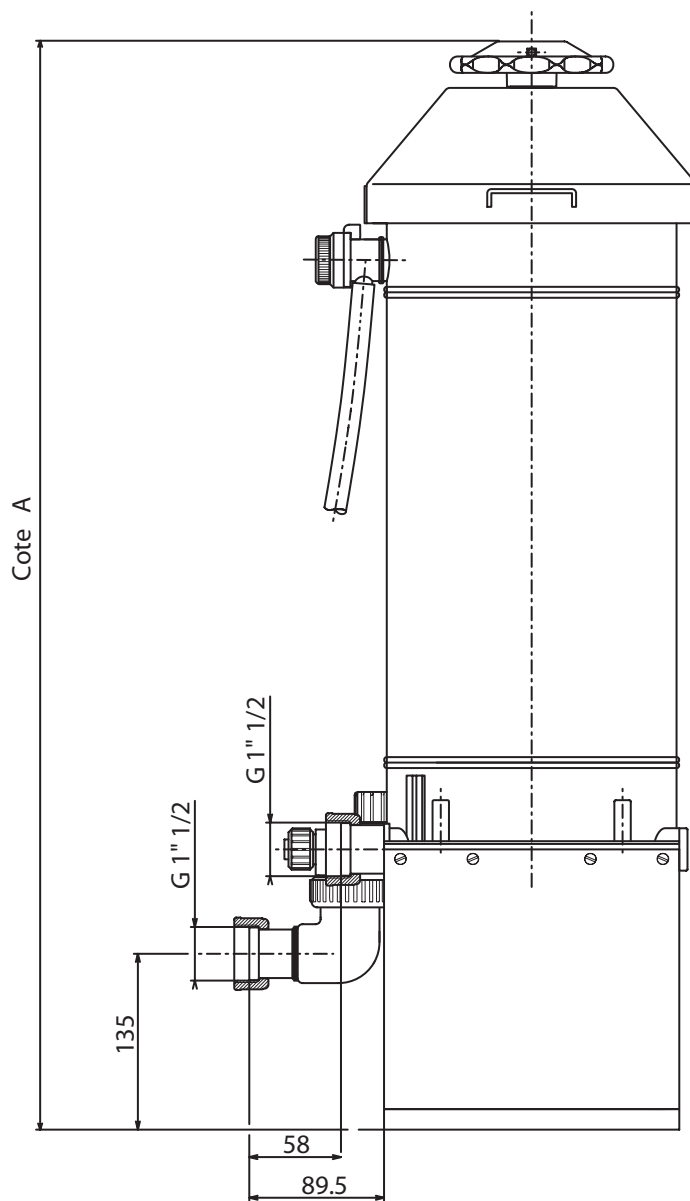
Possibility of L20 - L50 connection



Pump		Grooved nozzle ØA - B	Union nut ØC (DN) - D	Flange ØG - ØE - nxØF - H
M35	Input	20 - 35	G1"1/4 - DN15 - 30	100 - 75 - 4x12 - 31.5
	Output	20 - 35	G1"1/4 - DN15 - 30	100 - 75 - 4x12 - 140
M50	Input	25 - 35	G1"1/2 - DN20 - 30	100 - 75 - 4x12 - 31.5
	Output	25 - 35	G1"1/2 - DN20 - 30	100 - 75 - 4x12 - 140



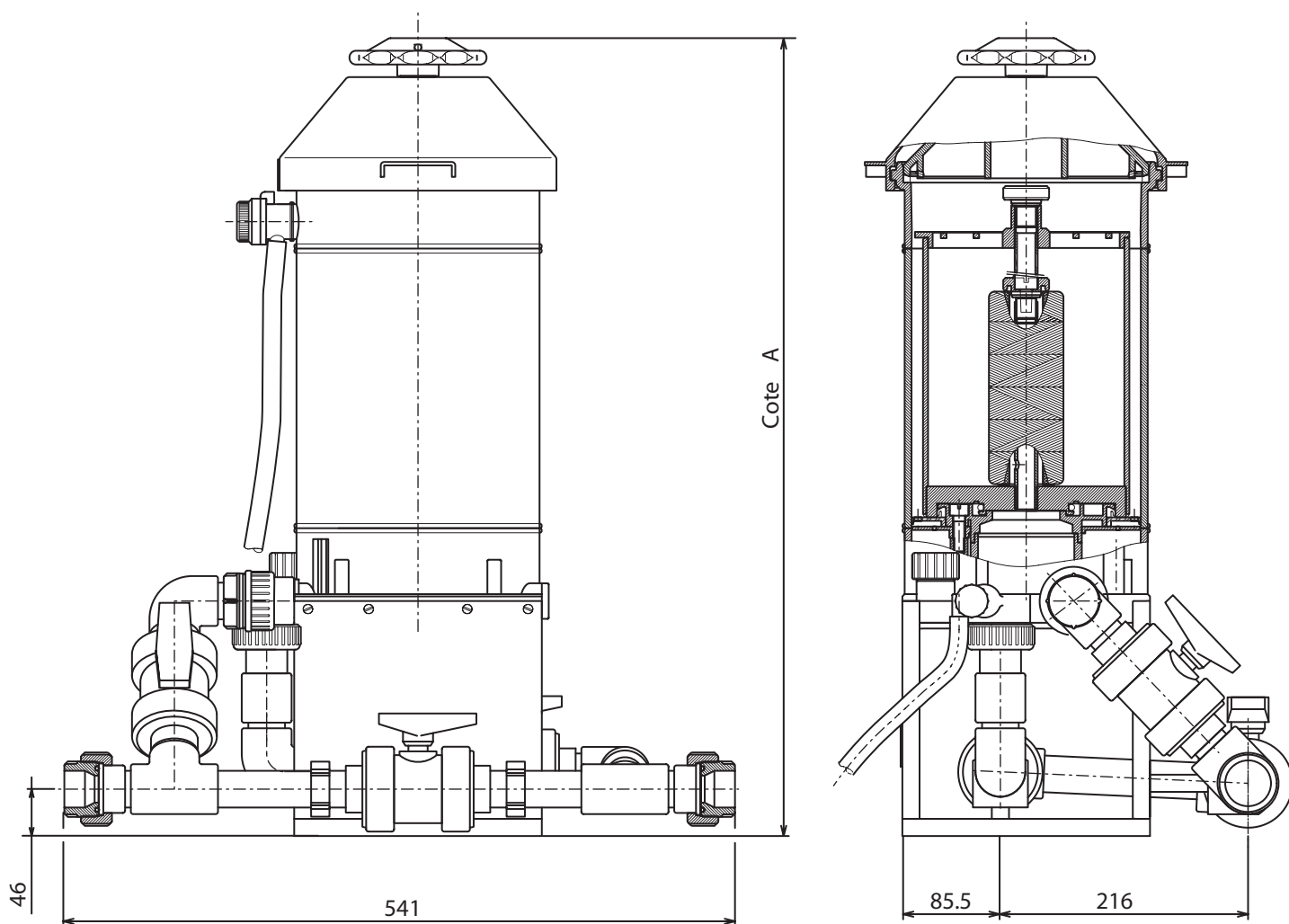
Filters L30 - L50 without pump



	Cote A
L20	600 mm
L30	696 mm
L40	816 mm
L50	950 mm



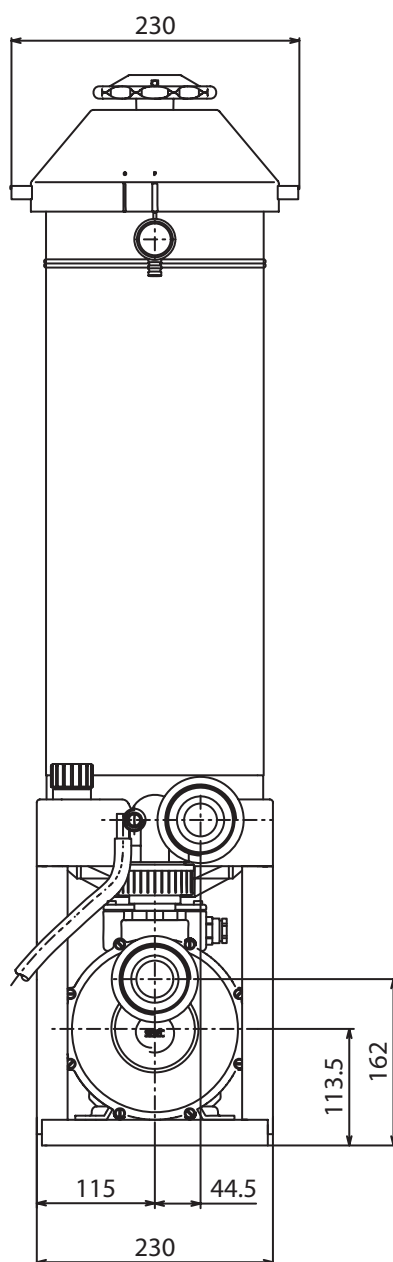
Filters L30 - L50 with active charcoal



Cote A	
L20	600 mm
L30	696 mm
L40	816 mm
L50	950 mm

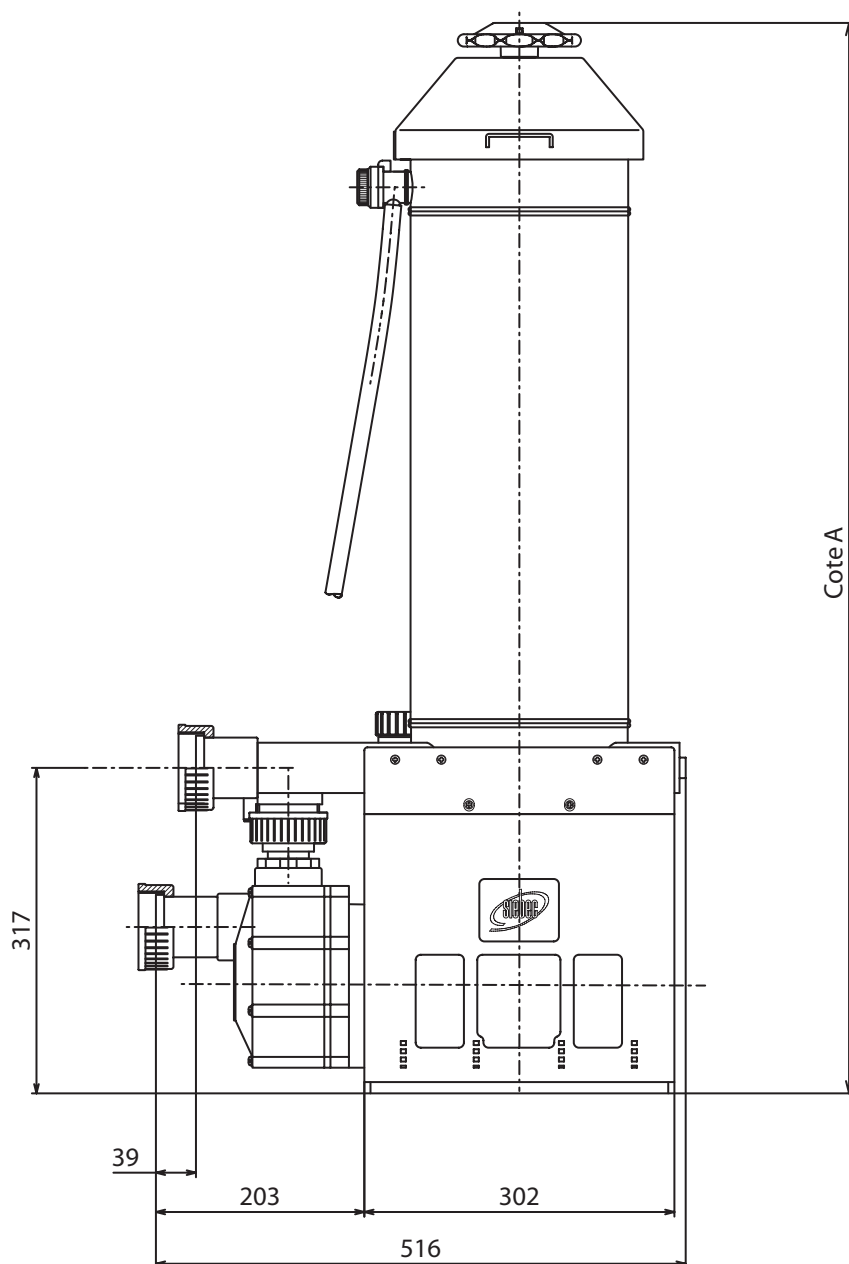


Dimensional diagram L31 - L81





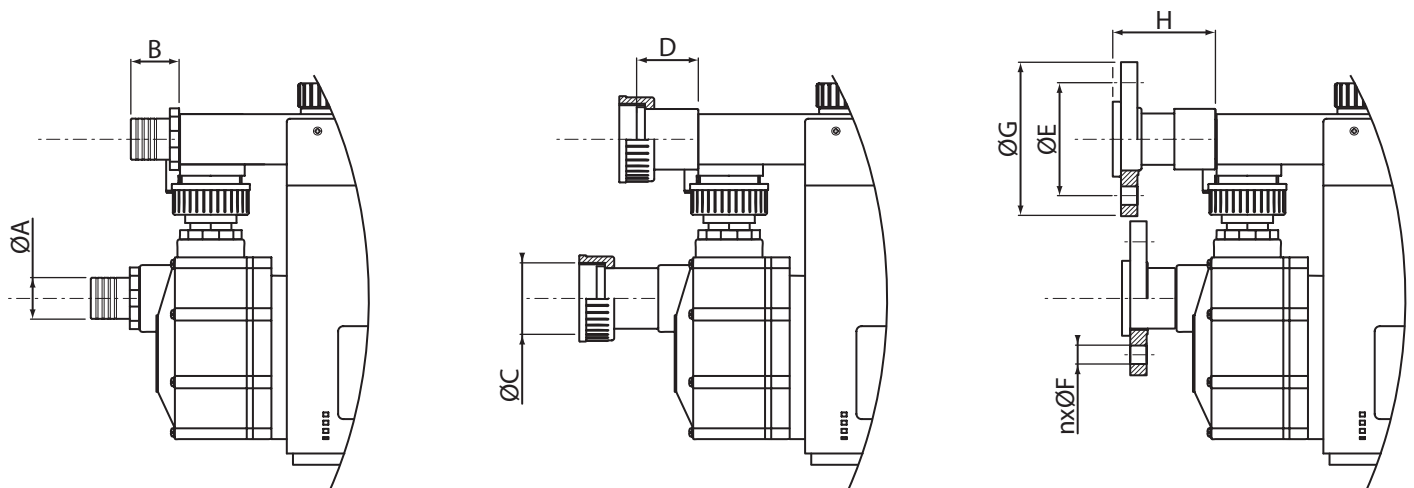
Dimensional diagram L31 - L81



	Cote A
L31	788 mm
L41	908 mm
L51	1042 mm
L81	1296 mm



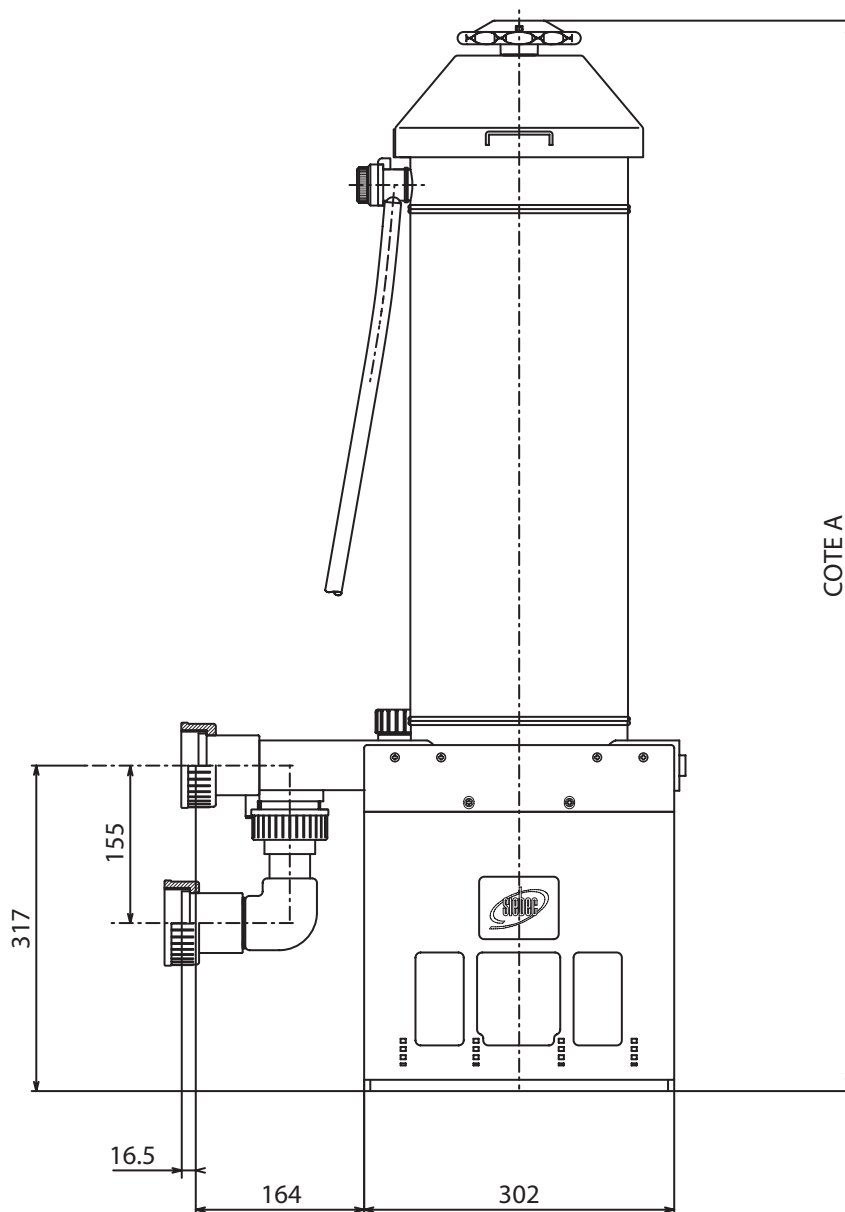
Possibility of L31 - L81 connection



Pump		Grooved nozzle ØA - B	Union nut ØC (DN) - D	Flange ØG - ØE - nxØF - H
M100 - M140	Inlet	40 - 47	G2"1/4 - DN40 - 60	150 - 110 - 4x18 - 60
	Outlet	40 - 47	G2"1/4 - DN40 - 60	150 - 110 - 4x18 - 60
M200	Inlet	50 - 55	G2"3/4 - DN50 - 60	165 - 125 - 4x18 - 60
	Outlet	40 - 47	G2"1/4 - DN40 - 60	150 - 110 - 4x18 - 60
A18 - A19	Inlet	40 - 47	G2"1/4 - DN40 - 60	150 - 110 - 4x18 - 60
	Outlet	40 - 47	G2"1/4 - DN40 - 60	150 - 110 - 4x18 - 60



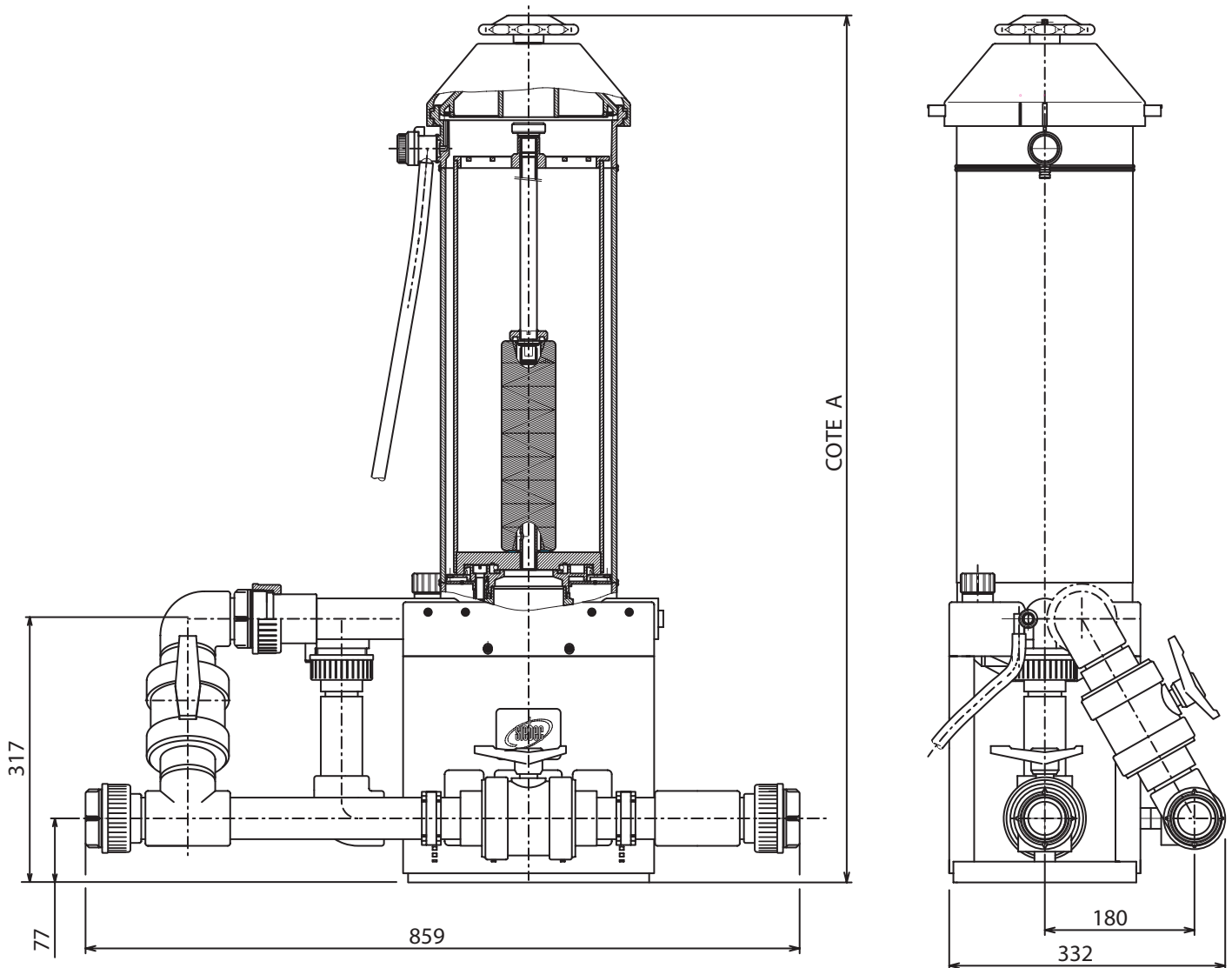
Filters L31 - L81 without pump



	Cote A
L31	788 mm
L41	908 mm
L51	1042 mm
L81	1296 mm



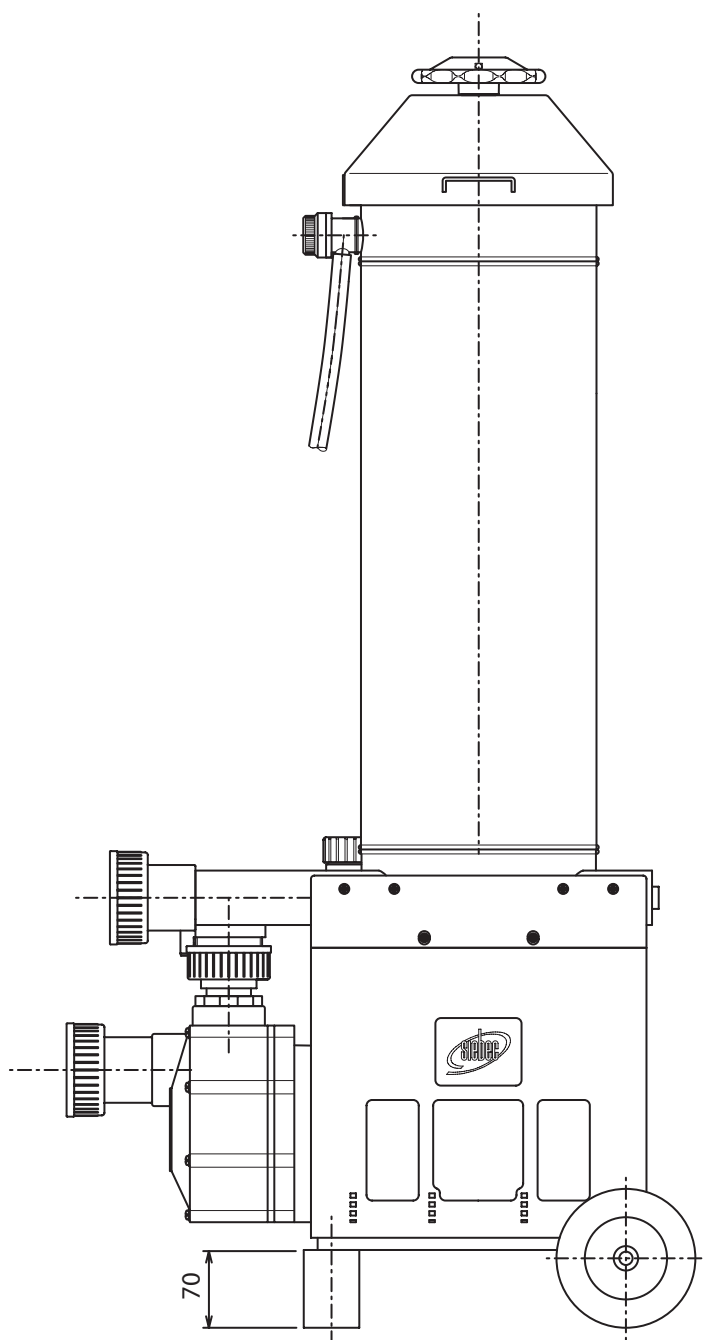
Filters L31 - L81 with active charcoal



Cote A	
L31	788 mm
L41	908 mm
L51	1042 mm
L81	1296 mm

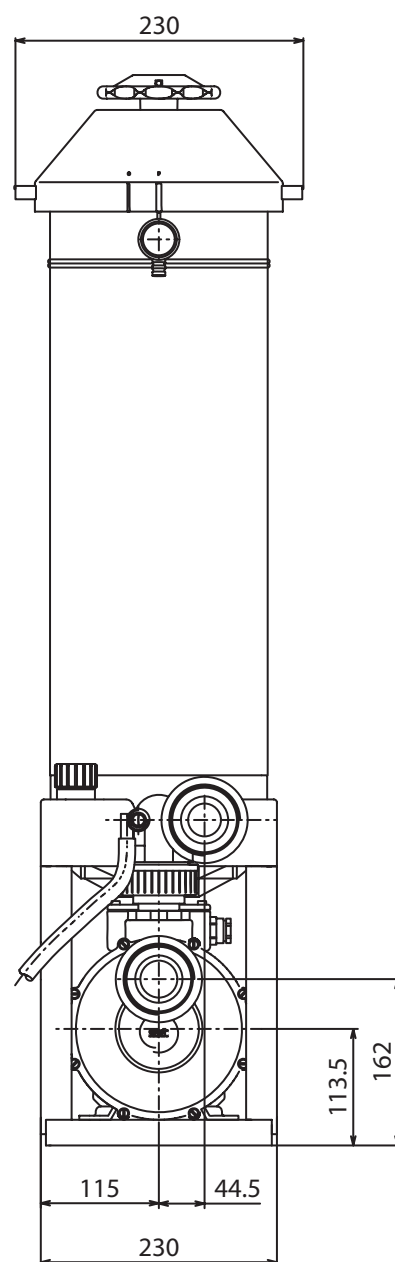


Filters L31 - L81 with castors



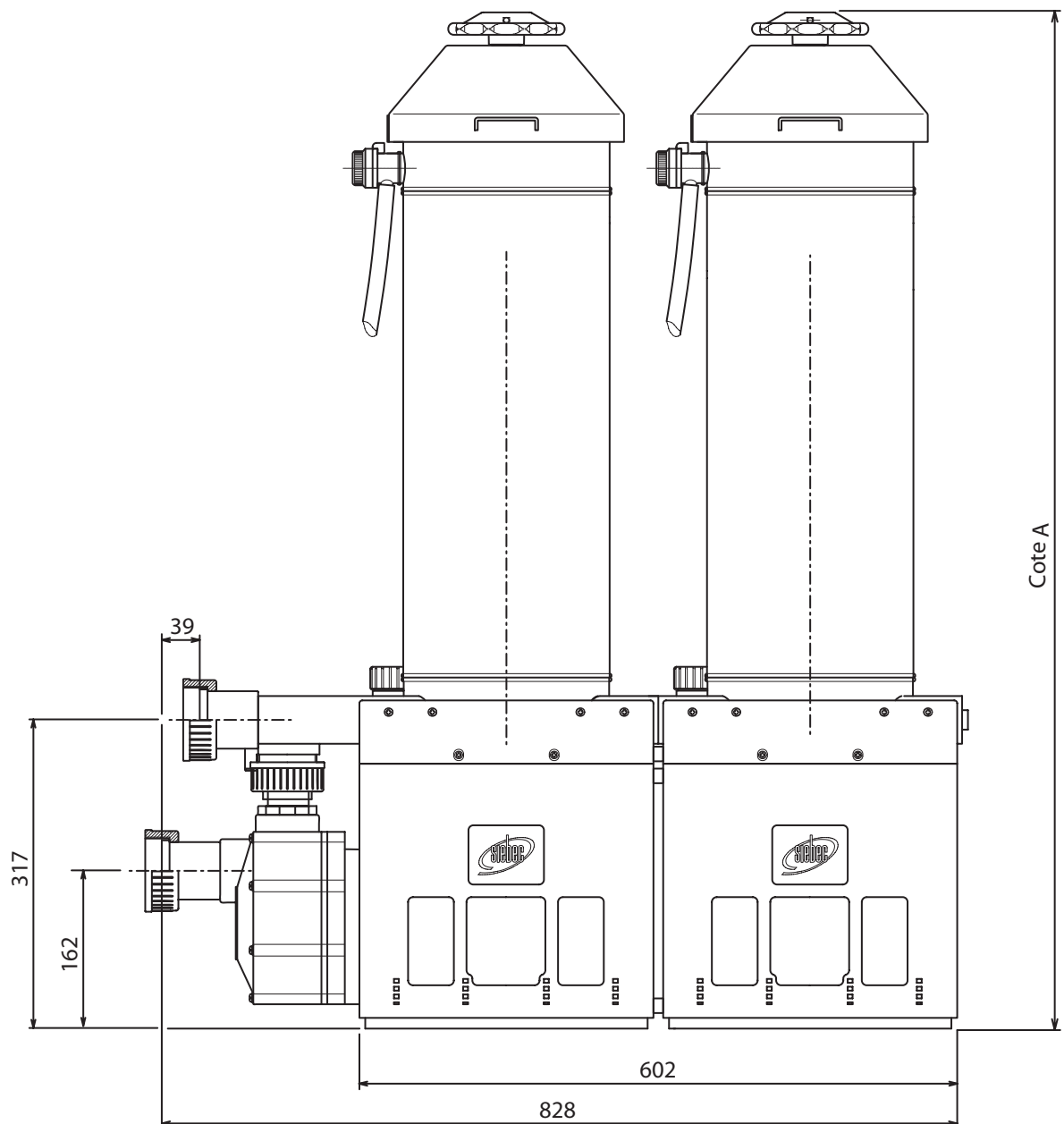


Dimensional diagram L52 - L82





Dimensional diagram L52 - L82

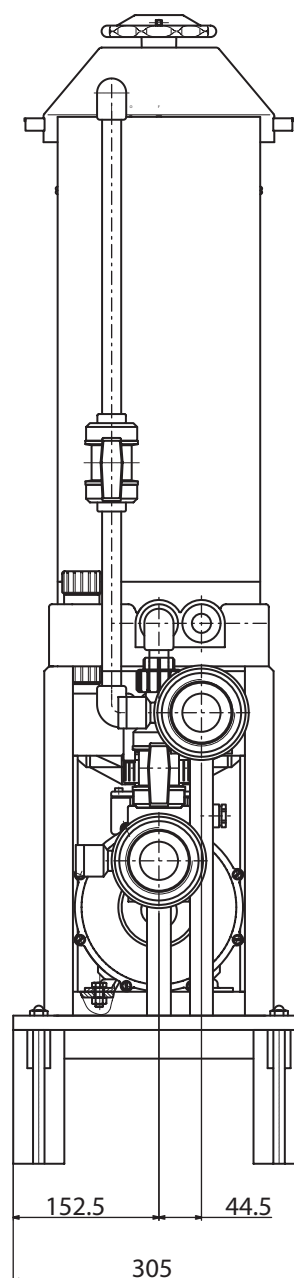


Pump	M100 - M140	A18 - A19	M200
Inlet	G 2" 1/4	G 2" 1/4	G 2" 1/2
Outlet	G 2" 1/4	G 2" 1/4	G 2" 1/4

	Cote A
L52	1042 mm
L82	1290 mm

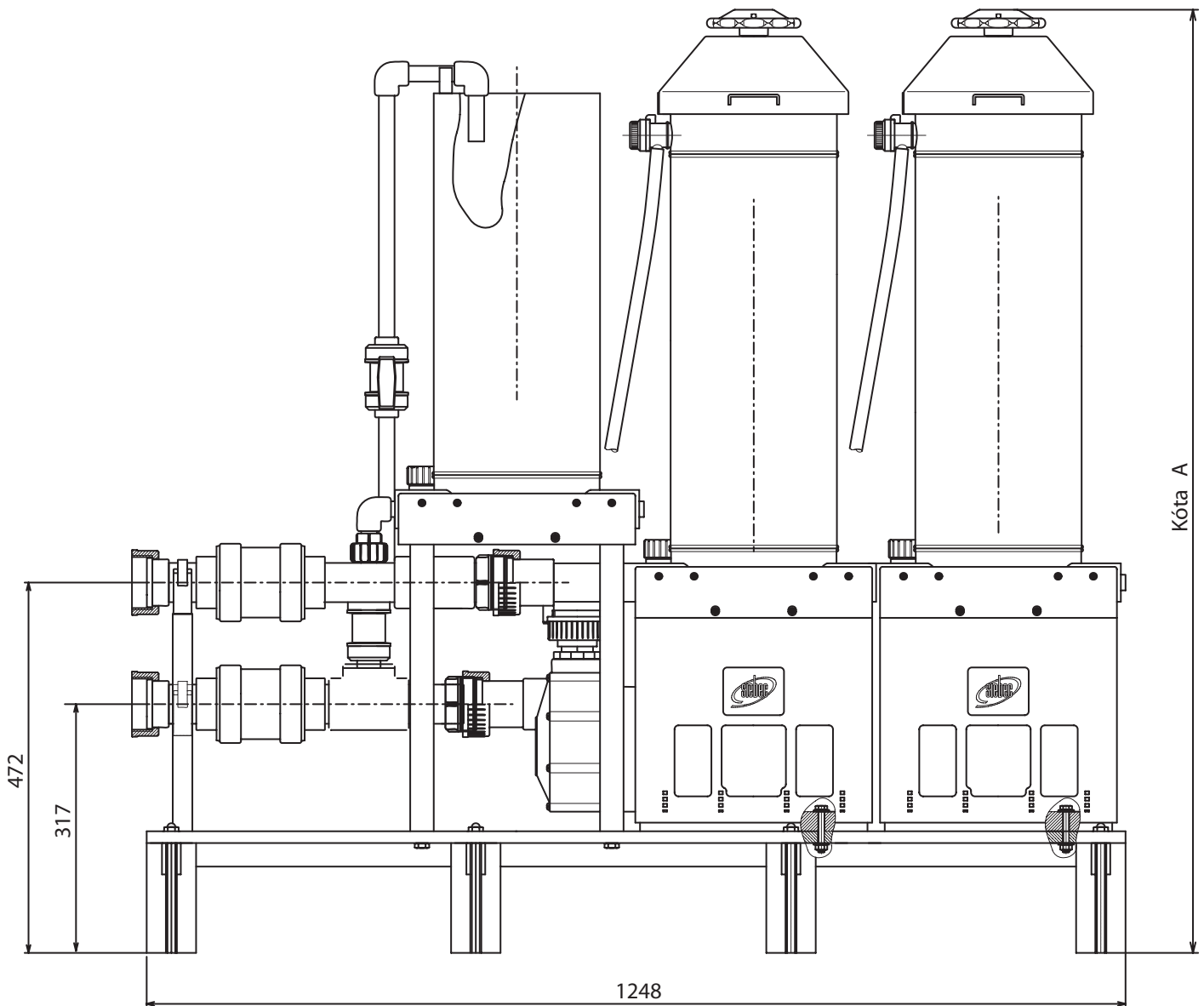


Dimensional diagram L58 - L88





Dimensional diagram L58 - L88

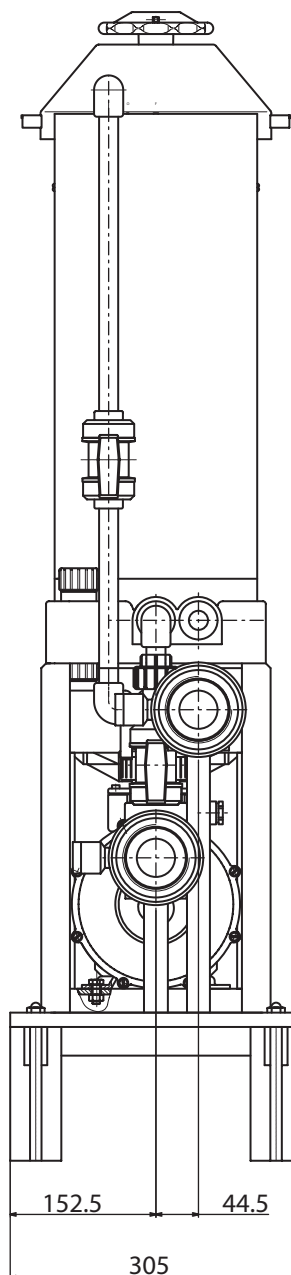


Pump	M140	A19	M200
Inlet	G 2" 1/4	G 2" 1/4	G 2" 1/4
Outlet	G 2" 1/4	G 2" 1/4	G 2" 1/4

	Cote A
L58	1202 mm
L88	1456 mm

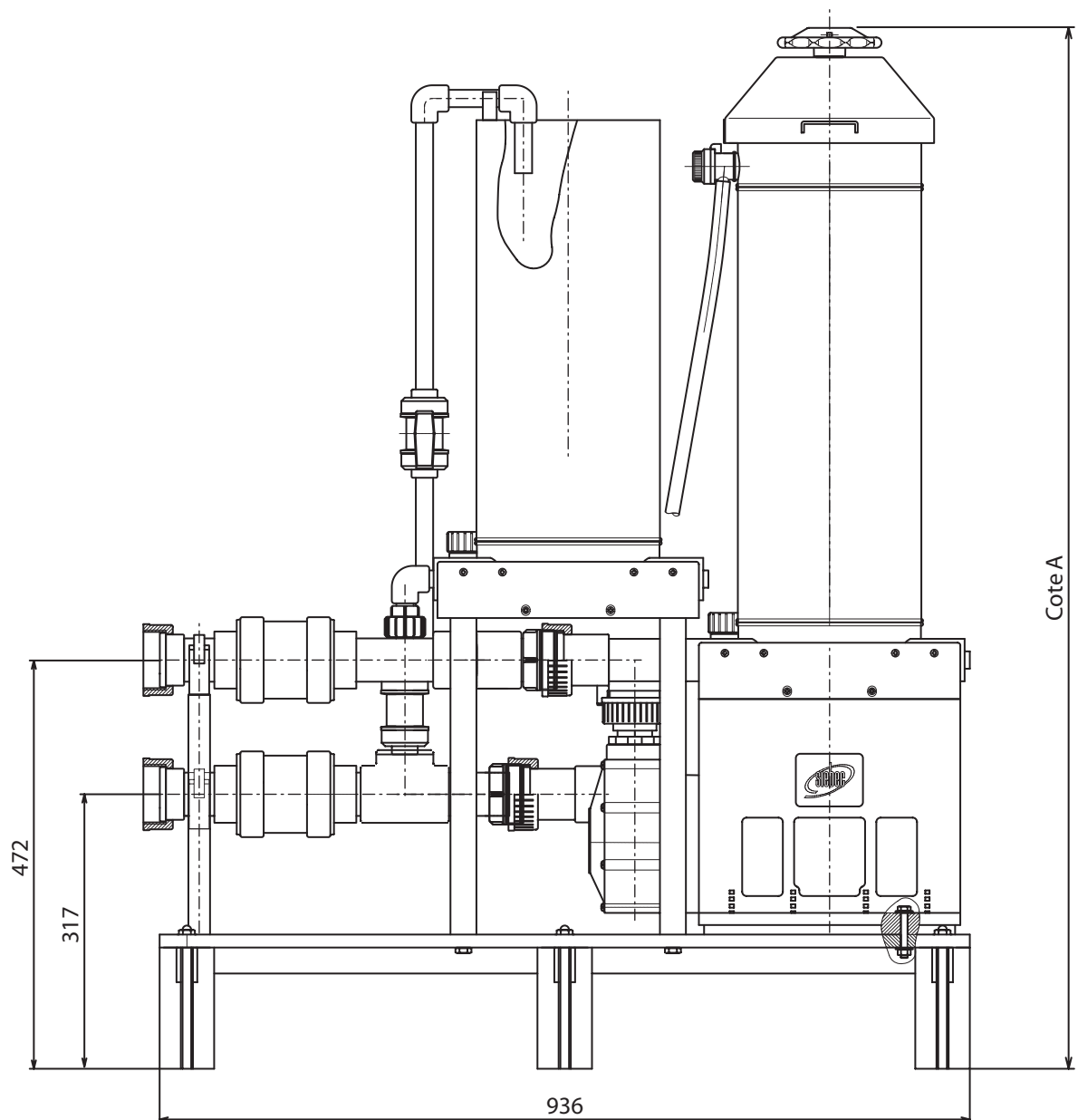


Dimensional diagram L59 - L89





Dimensional diagram L59 - L89



Pump	M100 à M140	A18 à A19	M200
Inlet	G 2" 1/4	G 2" 1/4	G 2" 1/4
Outlet	G 2" 1/4	G 2" 1/4	G 2" 1/4

	Cote A
L59	1202mm
L89	1456 mm